

Call Toll-Free: 1-800 Van Mark Email: sales@van-mark.com

Ref	Description	P/N
1	Top, Sliding Table	7001
2	Deck, Main	7002
3	Fence, Rear	7003
4	Base, Saw Track	7048
5	Tube, Extension	7052
6	Rail, Saw Track	7046
7	Angle, Ex. Cross Bar	7007
8	Angle, Saw Track C-Bar	7050
9	Vinyl, Main Deck	7009
10	Vinyls, Track 2 pc Set	3410
11-14	Tape Rules, 4 pc Set	3408
15	Top Extension	7015

Ref	Description	P/N
16	Stub, Saw Track Pivot	7017
17	Block, Saw track Pivot	7018
18	Rod, Locking	7053
19	Knob, Locking Rod	7051
20	Spring, Screw Retaining	7021
21	Handle, Carrying	7022
22	Stop, Saw Track Angle	7023
23	Butt-stop, Material	7024
24	Protractor Plate	7025
26	Angle, Saw Track Base	7032
27	Shim, 1/4" Track Riser	7033
28	Block, 2" Track Riser	7049

Ref	3409 Tune-Up Kit:
10	Vinyls, Saw Track 2 pc Set
11-14	Tape Rules, 4 pc Set
20	Springs, Thumb Screws
23	Butt-Stop w/Screw
24	Protractor Plate
25	5/16 x 8 Nut Retaining Brkt
33	5/16 x 18x3/4 Thumb Scw.
38	1/4 x 20x 3/4 Thumb Scw.
40	5/16-18 hex Nut

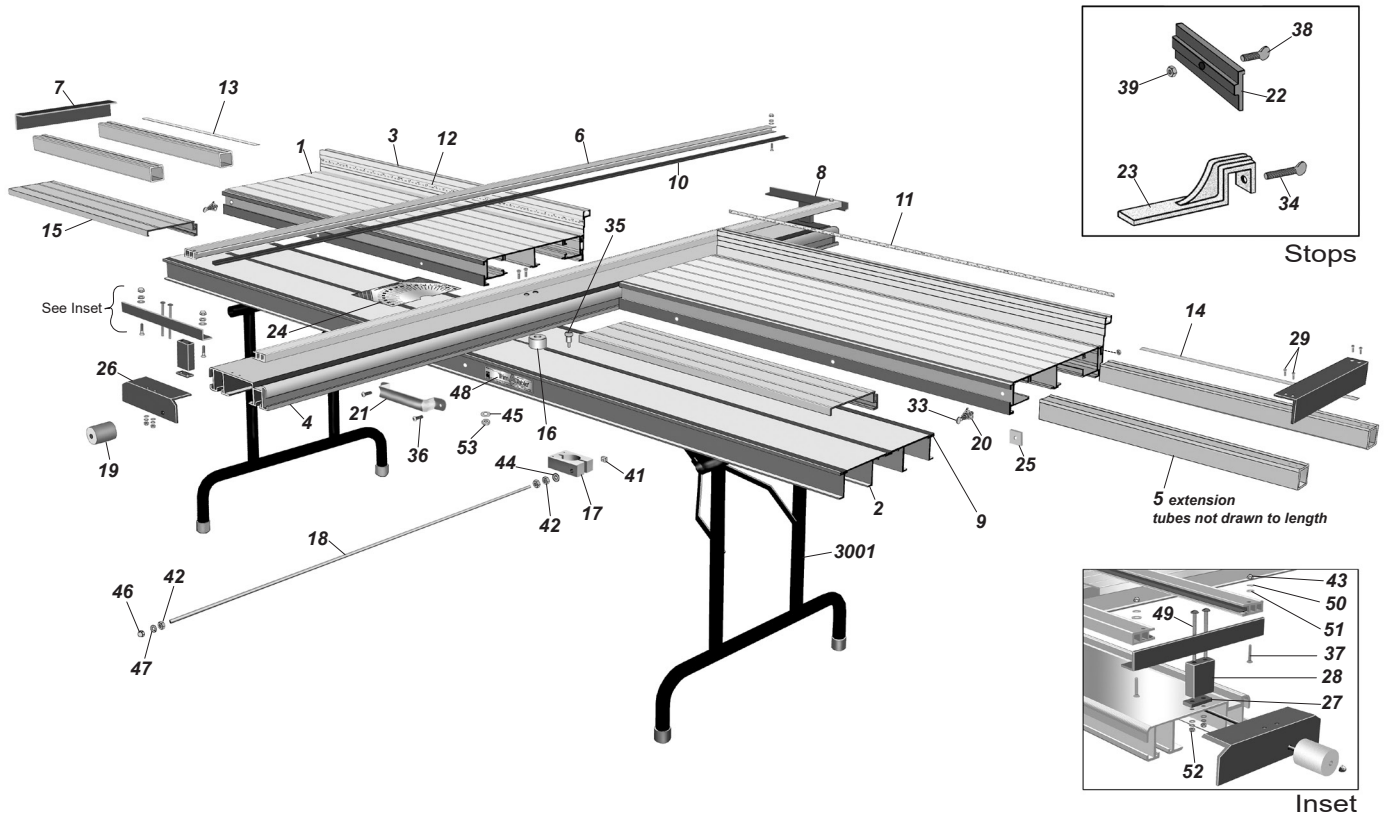
Accessories/Assemblies	
USA1	UniStand Adjustable
3001	Steel Leg Kit
3411	Rep. Saw Track Assembly
3401	Thumb Screw Kit
3519	Deck Assembly

Optional Steel Folding Legs Kit

Steel Folding Legs
Fits Trim-A-Table
Model TAT60
No. 3001

Optional UniStand Adjustable™

UniStand Adjustable
Fits Many Popular
Van Mark Tools
No. USA1



VAN MARK PRODUCTS CORPORATION

24145 Industrial Park Drive, Farmington Hills, MI 48335-2864 Michigan 1-248-478-1200
 Call Free 1-800-VAN-MARK (1-800-826-6275) Fax Free! 1-888-VAN-MARK (1-888-826-6275)
 Web Site: www.van-mark.com E-mail: sales@van-mark.com

Trim-A-Table™ TAT60

Orders must include model and serial no. in order to guarantee correct parts are shipped.