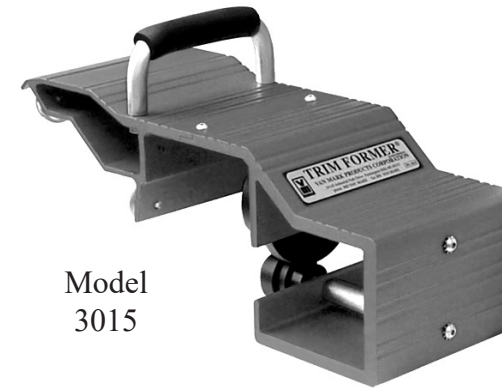
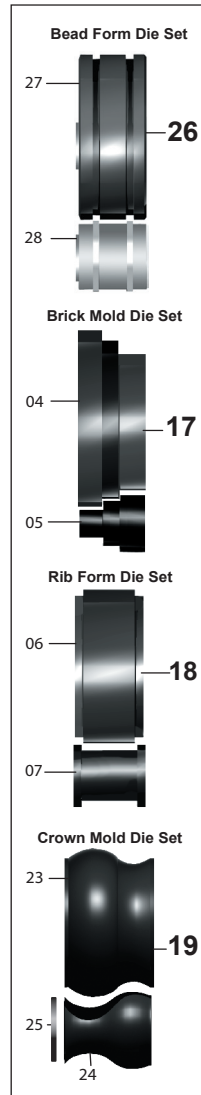


Patent No's 6,000,268 6,233,995

Ref	Description	Qty Req	Part No
01	Carriage	1	4019
02	Roll Body	1	4020
03	1/4" Star Washer	2	2511
04	Brick Mold Die, Large	1	4022
05	Brick Mold Die, Small	1	4023
06	Rib Die, Large	1	4024
07	Rib Die, Small	1	4025
08	Bearing	4	4026
09	Axle Shaft	2	4027
10	Axle Spacer	2	4017
11	Nameplate	1	4015
12	Washer	2	2512
13	Screw, 5/8"	4	2019
14	Screw, 7/8"	6	2020
15	Nyloc Nut	4	2313
16	Allen Wrench	1	6023
17	Brick Mold Die Set	1	3018
18	Rib Die Set	1	3019
19	Crown Mold Die Set	1	3025
20	3/8-16 x 3/4" Hex Cap	2	2042
21	Handle	1	4012
22	Grip	1	4014
23	Crown Mold Die, Large	1	4070
24	Crown Mold Die, Small	1	4071
25	Spacer, Lg Crown Mold	1	4072
26	Bead Form Die Set	1	3044
27	Bead Form Die, Large	1	4028
28	Bead Form Die, Small	1	4029

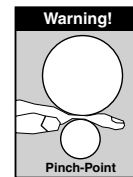


Model 3015

## TrimFormer™

### Important Information!

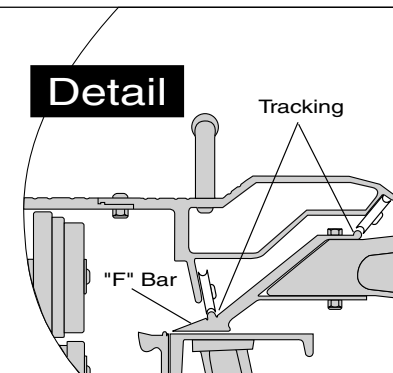
1. Read all instructions carefully before getting started.
2. Keep fingers and hands clear of rollers at all times.
3. Keep loose clothing and jewelry out of roller path.
4. Always remove TrimFormer™ prior to making bends.



### TOOL OPERATION

We would like to take this opportunity to thank you once again for your purchase of the Van Mark TrimFormer™. Please take a moment to read all the instructions contained in this manual.

1. Always operate this tool with the track bearings fully engaged with the tracks located along the brake "F" bar (see detail).
2. Always remove the TrimFormer™ from the brake prior to making bends. Failure to do so can cause the tool to dislodge and fall to the ground causing damage or personal injury.
3. This tool is designed for use in forming various contours and shapes from standard trim coil stock. Please call the factory for details regarding TrimFormer™ use on heavier gauge materials.



24145 Industrial Park Dr., Farmington Hills, MI 48335

Toll Free No. 1-800-Van Mark Toll Free Fax 1-888-Van Mark

Phone No. 1-248-478-1200 Area Fax No. 1-248-478-1226

Web site: [www.van-mark.com](http://www.van-mark.com) E-Mail [sales@van-mark.com](mailto:sales@van-mark.com)

**VanMark**  
The Mark of Quality

