

Call Toll-Free: 1-800 Van Mark Email: sales@van-mark.com

**Save Time! Save Money!**

All 3000 Series Parts Numbers are Complete  
"Ready to Use" Assemblies.

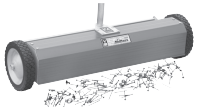



Ref	Description	Model	Model	Model
		T850 Contr T851 HD P/N	T1050 Contr T1051 HD P/N	T1250 Contr T1251 HD P/N
1	Slide Bar & Wedge Assm ** Cont	3593	3594	3595
2	Slide Bar & Wedge Assm ** HD	3600	3601	3602
3	L Bar w/SS Edge Strip ** Cont	3607	3608	3609
4	L Bar w/SS Edge Strip ** HD	3614	3615	3616
5	Hinge, Front w/Orange Vinyl Strip	3621	3622	3623
6	Hinge, Fixed Rear ** Cont	4038	4039	4040
7	Hinge, Fixed Rear ** HD	4140	4141	4142
8	Rail, Base Front ** Contr	4271	4273	4275
9	Rail, Base Front ** HD	4272	4274	4276
10	Rail, Base Rear ** Contr	4285	4287	4289
11	Rail, Base Rear ** HD	4286	4288	4290
12	Strip, Stainless Steel Edge *	4182	4183	4184
13	Pin, Stainless Steel Hinge	4062	4063	4064

\*Can ship via UPS in 2 pcs. \*\*Serial no. required to order.

**Parts For All Models**

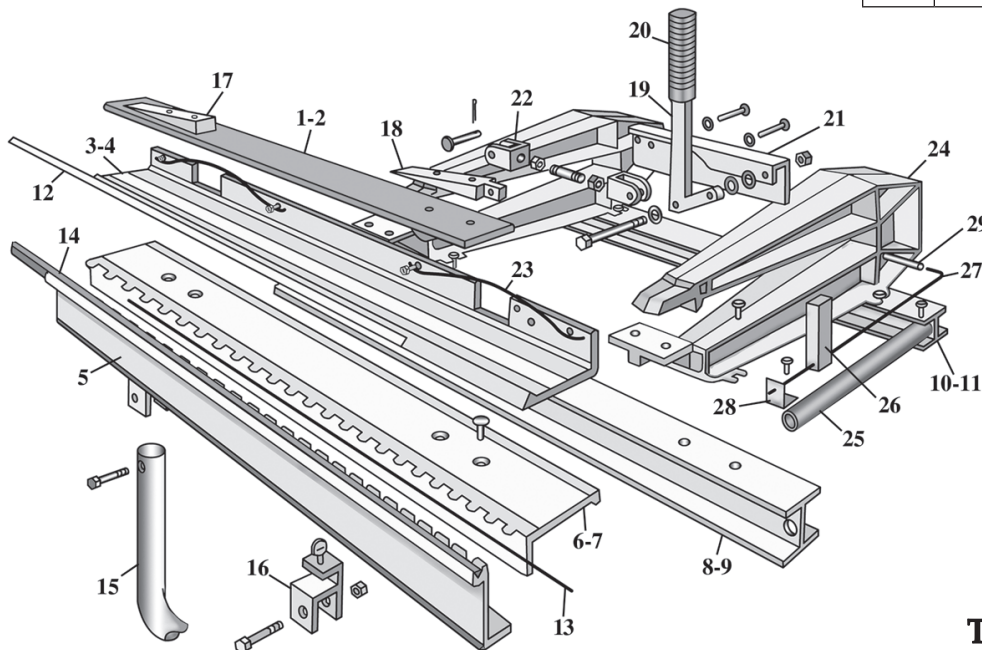
Ref	Part Name	P/N
14	Strips, Orange Vinyl Wear (2 ea)	3628
15-16	Handle, Bending w/Brackets	3536
16	Brackets, Bending Handle (2 ea)	3579
17-18	Wedges & Wedge Block Assm	3583
18	Wedge Block w/Clevis Pin	3588
19-20	Locking Handle w/Orange Grip	3586
21	Locking Handle Mounting Brkt	3587
22	Locking Clevis Assembly	3585
23	Round Springs 1/8" x 10 1/4" (4 ea)	3584
24	Casting C Clamp 6" High	3589
25	Handles, Carrying (2 ea)	3572
26-29	Material Stop Assembly (2 ea)	3507

**Optional Accessories**

NailHawg™	Steel Folding Legs 3000	Wheel Kit 3004	UniStand™ USA1
			
Easily gets nails from job (shown with partial handle).	Heavy-Duty steel legs (includes hardware)	Fits All Van Mark Brakes Attaches to one end of Brake Base Rails	Easily maneuvers Van Mark tools over terrains

**Tune-Up Kits**

Ref	Description
14	Strip, Orange Vinyl Wear
17-18	Wedges & Wedge Block Assembly
19-20	Locking Handle & Orange Grip
22	Locking Clevis Assembly, Adj.
23	Round Springs 1/8" x 10 1/4"
	Screw & Fastener Package, Misc.



**VAN MARK PRODUCTS CORPORATION**

24145 Industrial Park Drive, Farmington Hills, MI 48335-2864 Michigan 1-248-478-1200  
**Call Free 1-800-VAN-MARK (1-800-826-6275) Fax Free! 1-888-VAN-MARK (1-888-826-6275)**  
 Web Site: www.van-mark.com E-mail: sales@van-mark.com

**Trim-A-Brake II™**

Orders must include model and serial no. in order to guarantee correct parts are shipped.