



NV200® COMPACT CARGO VAN Dealer UpFit Catalog



Dealer Info:

NISSAN COMMERCIAL INCENTIVE PROGRAM



2020 NV200 Compact Cargo Van

Option #1

Upfit Allowance*

\$500 To Make it Your Own

Build out your vehicle your way with a cash upfitting incentive.

Option #2

Cargo Management Solutions*

Stay organized with shelving units, partitions and more, complimentary or at exclusive rates.

POPULAR EXAMPLES - More Packages are outlined on Pages 4 - 6

<u>Package</u>	<u>MSRP</u>	<u>Your Cost</u>
Base Starter Package / #4959	\$1,090	\$0
Wire Partition with Utility Rack Starter Package / #4963	\$1,095	\$0
Dual Shelf Starter Package / #4964	\$1,665	\$432
Trible Shelf Starter Package / #4966	\$2,055	\$702

* - Purchaser must comply with all Nissan Program requirements to qualify for these incentives. Consult your Dealer for complete details. Programs subject to change without notice.

NISSAN AND ADRIAN STEEL ARE COMMITTED BUSINESS PARTNERS AND THEY HAVE TEAMED UP TO OFFER YOU THE COMMERCIAL STORAGE PRODUCTS NECESSARY TO GROW YOUR BUSINESS.

The Nissan Commercial Incentive Program offers qualified commercial customers substantial benefits, including your choice of upfit packages featuring shelving or ladder storage options for both NV Cargo Standard/High roof models and NV200 Compact Cargo.

PROGRAM ELIGIBILITY:

Incentives available only to a commercial business. Subject to verification and eligibility requirements. Customers who can provide one of the following eligible business documents can take advantage of the Nissan Commercial Incentive Program. All eligible business documentation must link the owner's name to the business.

- Business License
- Copies of DBA or assumed name document
- Articles of Incorporation
- Sales Tax License
- State or Federal forms showing a Federal Identification Number
- Nissan FAN code
- Verifiable D & B listing
- Municipal Business License
- State or Federal authorized business website (must have a .gov web address)
- State Occupational License for Trade (for example Plumber, Electrician, Contractor)



The Nissan Commercial Incentive Program is available only through Nissan Business Certified Dealers in the US.

- You must purchase or lease and take delivery of an eligible NV Cargo or NV200 Compact Cargo commercial van during the program period.
- Customer Responsibility charges are to be paid directly to the Adrian Steel Distributor.
- NV Cargo Program Accessories selected on program claims will be invoiced by Nissan through their dealer.

NEED HELP?

Contact your local Nissan Commercial Vehicle Dealer for more information about the Commercial Incentive Program. Locate your dealer online at: www.nissancommercialvehicles.com/dealer-locator

ADRIAN STEEL HAS ALL THE STORAGE PRODUCTS YOU WILL NEED

And the distributor network to professionally install your interior to get you serving your customers faster! Below is a guide to help you set up your work van with the equipment you need to get the job done. Build your own interior with our modular products, or start with a trade specific package and modify it to your specific needs.

ZONE 1 PARTITION

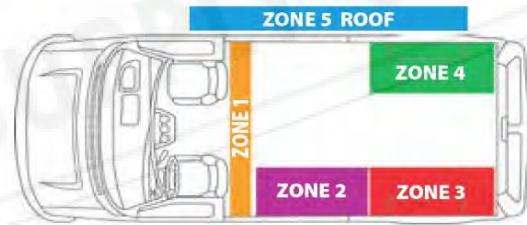
- Choose partition style and wing kit (if applicable).
- Add accessories.
- I need:

ZONES 2, 3, 4 CURBSIDE & STREETSIDE

- Use layout diagram to determine the amount of space available.
- Choose from a variety of shelving units and modules, or a trade specific interior package.
- I need:

ADDITIONAL STORAGE

- Add accessories to shelving and partition
- Hooks, drawers, files, screens, and more.
- I need:



ZONE 5 ROOF

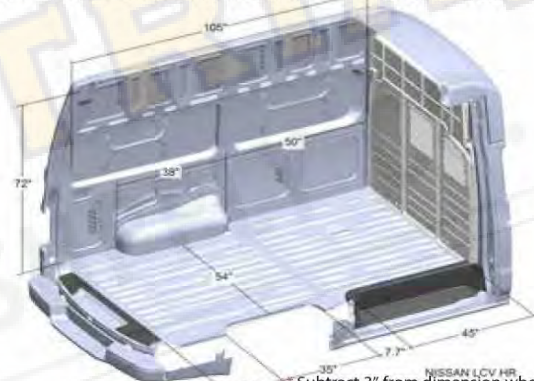
- What do you need to carry?
- Choose a ladder rack or utility rack to fit your needs.
- I need:

NV CARGO WITH STANDARD PARTITION



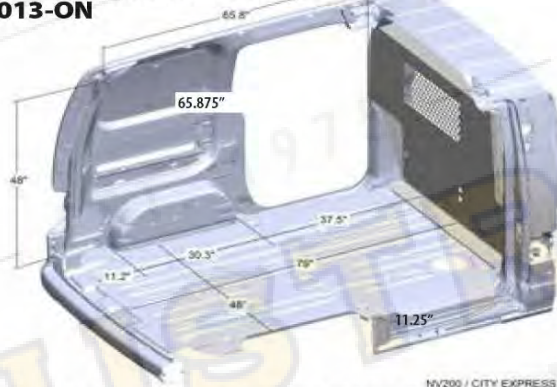
* Subtract 3" from dimension when a Max Comfort partition wing kit is installed.
Note: Dimensions for reference only. Measure your van or contact your distributor for your exact needs.

NV CARGO WITH HIGH ROOF PARTITION



* Subtract 3" from dimension when a Max Comfort partition wing kit is installed.
Note: Dimensions for reference only. Measure your van or contact your distributor for your exact needs.

NV200 WITH STEEL PARTITION 2013-ON



* Measures 79" at the floor and up to 13" off the floor. Measures 72" at 23" and higher off the floor.

Note: Dimensions for reference only. Measure your van or contact your distributor for your exact needs.

All illustrations, photos and specifications in this publication are based on the latest product information available at the time of content approval. The right is reserved to make changes at any time, without notice, in materials, specifications and models, and also to discontinue models.

NISSAN COMMERCIAL INCENTIVE PROGRAM

NV200 COMPACT CARGO - INCENTIVE OFFERS

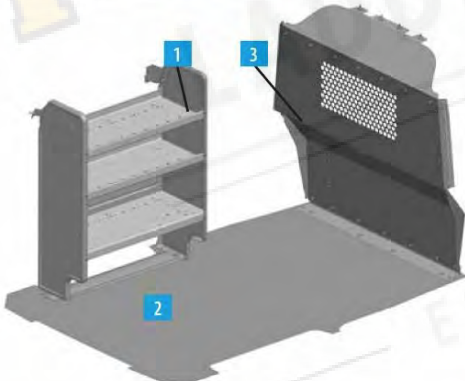
BASE STARTER PACKAGE

One ADseries Shelf and Steel Partition
(#4959)

MSRP Value \$1090

NO CHARGE!

ITEM	MODEL	DESCRIPTION	QTY
1	AD32FP	Adjustable 3-Shelf Unit	1
2	RKNV2-SS	Driver Side Mounting Plate Kit	1
3	P2NV2S	Steel Partition w/Visibility	1



NO CHARGE!

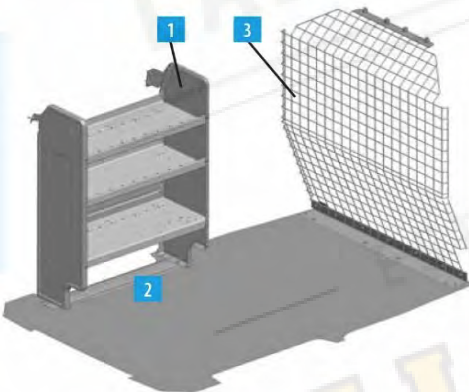
BASE STARTER PACKAGE

One ADseries Shelf and Wire Partition
(#4960)

MSRP Value \$915

NO CHARGE!

ITEM	MODEL	DESCRIPTION	QTY
1	AD32FP	Adjustable 3-Shelf Unit	1
2	RKNV2-SS	Driver Side Mounting Plate Kit	1
3	P2NV2FW	Wire Partition	1



NO CHARGE!

NV200

Item #	TOTAL	Item	Install
4959	983.46	845.96	137.50
4960	794.01	706.01	88.00

Item #	TOTAL	Item	Install

Item #	TOTAL	Item	Install

NISSAN COMMERCIAL INCENTIVE PROGRAM

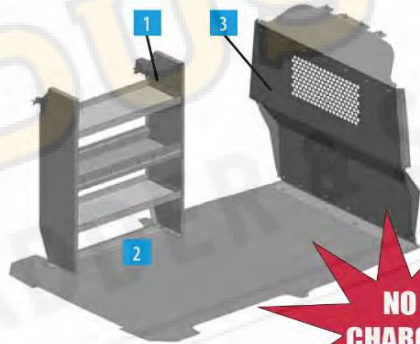
NV200 COMPACT CARGO - INCENTIVE OFFERS

BASE STARTER PACKAGE

One HD Series Shelf and Steel Partition
(#4961)

MSRP Value \$1150

NO CHARGE!



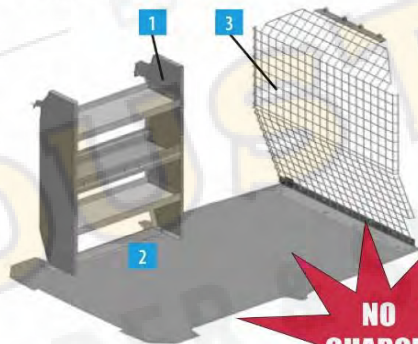
ITEM	MODEL	DESCRIPTION	QTY
1	HD-32NV2	3-Shelf Unit	1
2	RKNV2-SS	Driver Side Mounting Plate Kit	1
3	P2NV2S	Steel Partition w/ Visibility	1

BASE STARTER PACKAGE

One HD Series Shelf and Wire Partition
(#4962)

MSRP Value \$940

NO CHARGE!



ITEM	MODEL	DESCRIPTION	QTY
1	HD-32NV2	3-Shelf Unit	1
2	RKNV2-SS	Driver Side Mounting Plate Kit	1
3	P2NV2FW	Wire Partition	1

WIRE PARTITION W/ UTILITY RACK STARTER PACKAGE

MSRP Value \$1095

NO CHARGE!



NV200

ITEM	MODEL	DESCRIPTION	QTY
1	2BNV2	2-Bar Utility Rack	1
2	P2NV2FW	Wire Partition	1

Item #	TOTAL	Item	Install
4961	1027.36	840.36	187.00
4962	837.91	700.41	137.50
4963	965.89	828.39	137.50

Item #	TOTAL	Item	Install

Item #	TOTAL	Item	Install

NISSAN COMMERCIAL INCENTIVE PROGRAM

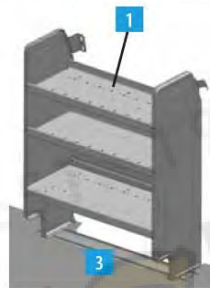
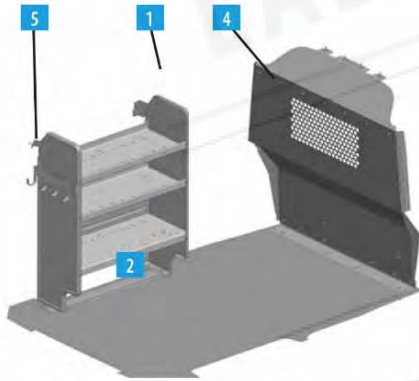
NV200 COMPACT CARGO - UPGRADE PACKAGES

DUAL SHELF STARTER PACKAGE

Includes two 32" ADseries Shelves
(#4964)

MSRP Value \$1665
 Less Nissan Contribution
CUSTOMER RESPONSIBILITY: \$432

ITEM	MODEL	DESCRIPTION	QTY
1	AD32FP	Adjustable 3-Shelf Unit	2
2	RKNV2-SS	Driver Side Mounting Plate Kit	1
3	RKNV2-CS	Passenger Side Mounting Plate Kit	1
4	P2NV2S	Steel Partition w/ Visibility	1
5	TA1WAD	Hook Bar	1

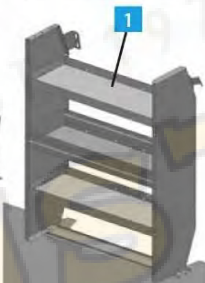
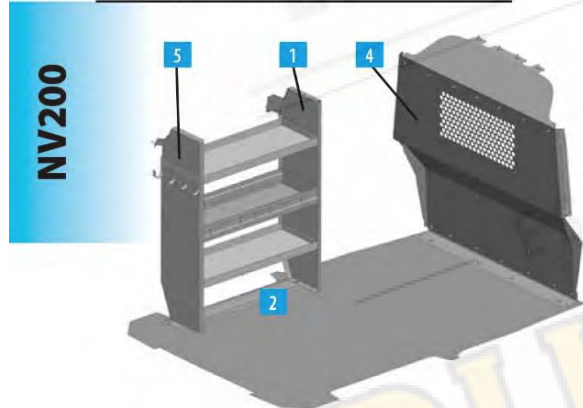


DUAL SHELF STARTER PACKAGE

Includes two 32" HD Series Shelves
(#4965)

MSRP Value \$1735
 Less Nissan Contribution
CUSTOMER RESPONSIBILITY: \$486

ITEM	MODEL	DESCRIPTION	QTY
1	HD-32NV2	3-Shelf Unit	2
2	RKNV2-SS	Driver Side Mounting Plate Kit	1
3	RKNV2-CS	Passenger Side Mounting Plate Kit	1
4	P2NV2S	Steel Partition w/ Visibility	1
5	TA1	Hook Bar	1



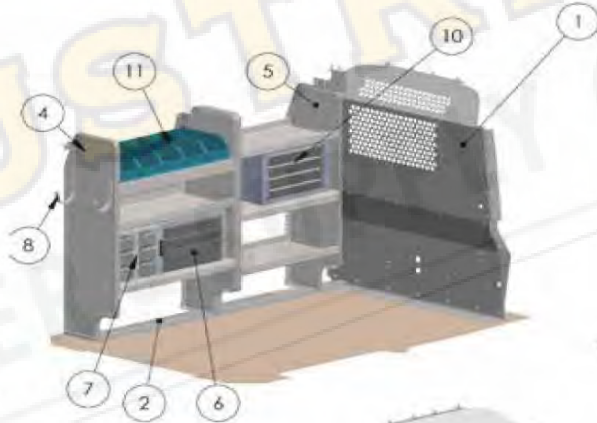
Item #	TOTAL	Item	Install
4964	1480.89	1279.59	201.30
4965	1553.48	1256.48	297.00

Item #	TOTAL	Item	Install

Item #	TOTAL	Item	Install

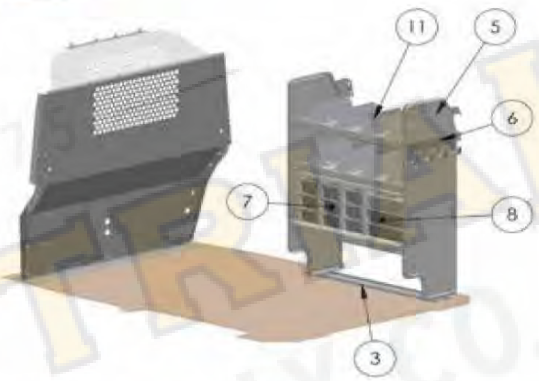
**5096
PLUMBING STARTER PACKAGE
City Express & NV200**

ITEM	MODEL	DESCRIPTION	QTY
1	P2NV2S	Steel Partition w/ Visibility	1
2	RK67NV2-SS	Driver Side Mounting Rail Kit	1
3	RKNV2-CS	Passenger Side Mounting Plate Kit	1
4	AD32FP	Adjustable 3-Shelf Unit	2
5	AD28NV2	Adjustable 3-Shelf Unit	1
6	919	3-Drawer Unit w/ Lock	1
7	DC6	3-Drawer Unit	5
8	UH50	Utility Hook	2
9	DC12	3-Drawer Unit	1
10	9	4-Drawer Unit w/ Lock	1
11	SBIN060614	Snap In Bin	10



**5099
ELECTRICAL STARTER PACKAGE
City Express & NV200**

ITEM	MODEL	DESCRIPTION	QTY
1	P2NV2S	Steel Partition w/ Visibility	1
2	RK67NV2-SS	Driver Side Mounting Rail Kit	1
3	RKNV2-CS	Passenger Side Mounting Rail Kit	1
4	AD28NV2	Adjustable 3-Shelf Unit	1
5	AD32FP	Adjustable 3-Shelf Unit	2
6	TA1WAD	4-Hook Bar w/ End Panel Adapter	2
7	DC6	3-Drawer Unit	3
8	DC12	3-Drawer Unit	1
9	DK532	Door Kit w/ Back Panel	1
10	919	3-Drawer Unit w/ Lock	1
11	DV14C8	Shelf Divider Kit	1
12	SBIN060614	Snap In Bin	8



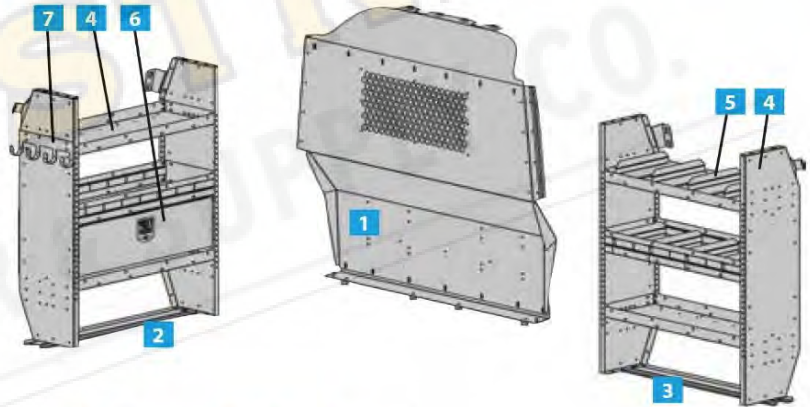
Item #	TOTAL	Item	Install
5096	3260.93	2815.43	445.50
5099	3022.76	2564.06	458.70

Item #	TOTAL	Item	Install

Item #	TOTAL	Item	Install

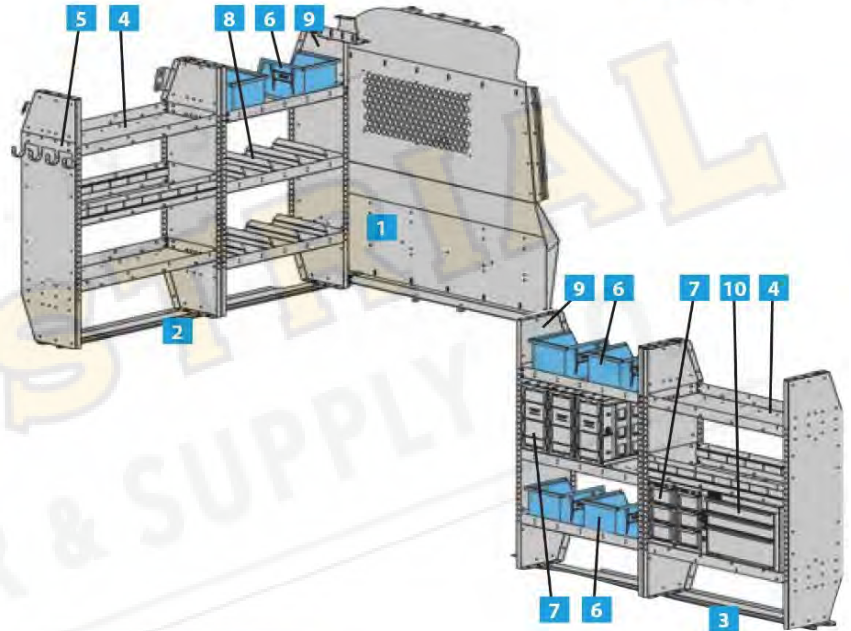
**5082
COMMERCIAL STARTER PACKAGE
NV200 Compact Cargo**

ITEM	MODEL	DESCRIPTION	QTY
1	P2NV25	Steel Partition w/ Visibility	1
2	RKNV2-SS	Driver Side Mounting Plate Kit	1
3	RKNV2-CS	Passenger Side Mounting Plate Kit	1
4	HD-32NV2	3-Shelf Unit	2
5	DV12	Shelf Divider	6
6	DKS32	Door Kit w/ Back Panel	1
7	TA1	4-Hook Bar	1



**5084
GENERAL SERVICE STARTER PACKAGE
NV200 Compact Cargo**

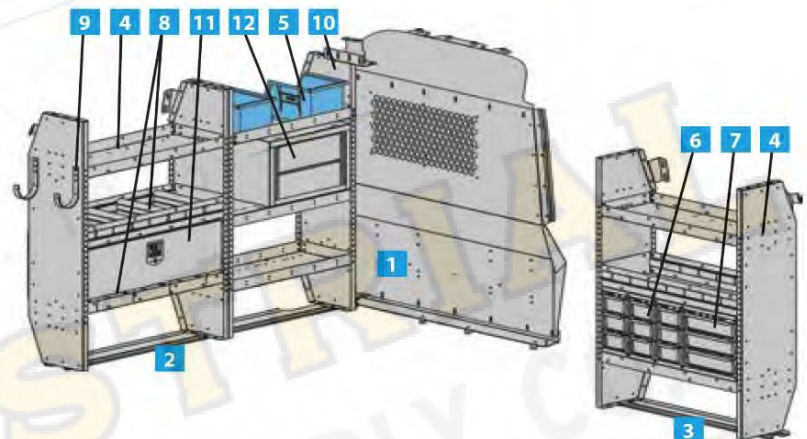
ITEM	MODEL	DESCRIPTION	QTY
1	P2NV25	Steel Partition w/ Visibility	1
2	RK67NV2-SS	Driver Side Mounting Rail Kit	1
3	RK67NV2-CS	Passenger Side Mounting Rail Kit	1
4	HD-32NV2	3-Shelf Unit	2
5	TA1	4-Hook Bar	1
6	28	Parts Bin	6
7	DC6	3-Drawer Unit	5
8	DV12	Shelf Divider	8
9	HD-28NV2	3-Shelf Unit	2
10	919	3-Drawer Unit w/ Lock	1



**5081
SATELLITE INSTALLATION STARTER PACKAGE
NV200 Compact Cargo**

NV200

ITEM	MODEL	DESCRIPTION	QTY
1	P2NV25	Steel Partition w/ Visibility	1
2	RK67NV2-SS	Driver Side Mounting Rail Kit	1
3	RKNV2-CS	Passenger Side Mounting Plate Kit	1
4	HD-32NV2	3-Shelf Unit	2
5	28	Parts Bin	2
6	DC6	3-Drawer Unit	3
7	DC12	3-Drawer Unit	1
8	DV12	Shelf Divider	8
9	UH50	Utility Hook	2
10	HD-28NV2	3-Shelf Unit	1
11	DKS32	Door Kit w/ Back Panel	1
12	19	2-Drawer Unit w/ Lock	1



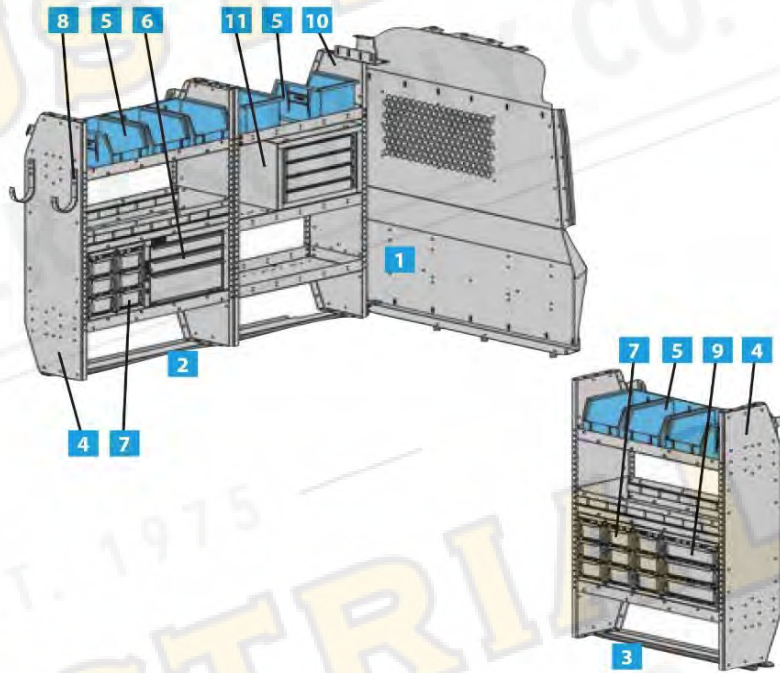
Item #	TOTAL	Item	Install
5082	#N/A	#N/A	#N/A
5084	3383.18	2745.18	638.00
5081	2935.17	2368.67	566.50

Item #	TOTAL	Item	Install

Item #	TOTAL	Item	Install

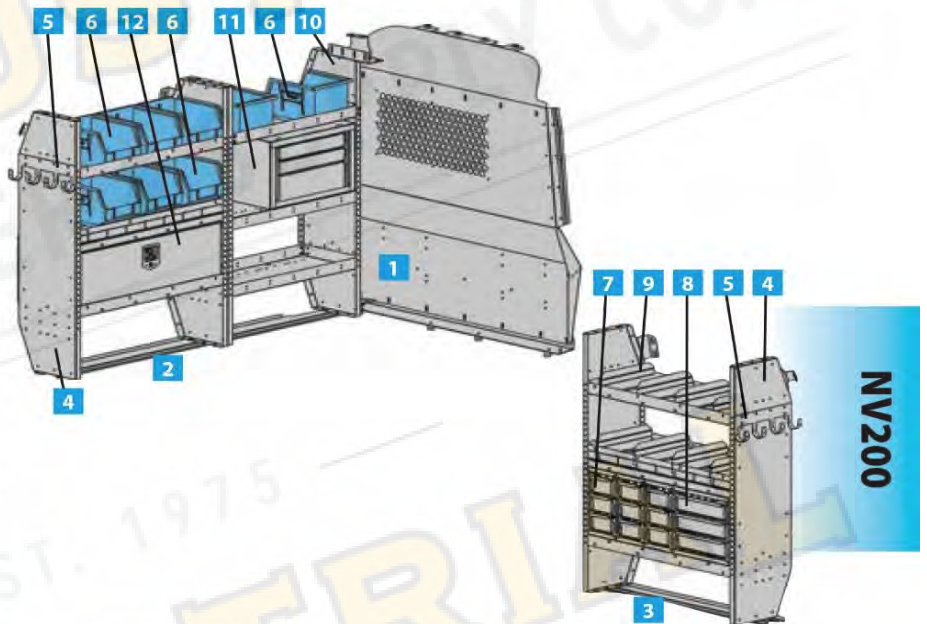
**5080
PLUMBING STARTER PACKAGE
NV200 Compact Cargo**

ITEM	MODEL	DESCRIPTION	QTY
1	P2NV2S	Steel Partition w/ Visibility	1
2	RK67NV2-SS	Driver Side Mounting Rail Kit	1
3	RKNV2-CS	Passenger Side Mounting Plate Kit	1
4	HD-32NV2	3-Shelf Unit	2
5	28	Parts Bin	8
6	919	3-Drawer Unit w/ Lock	1
7	DC6	3-Drawer Unit	5
8	UH50	Utility Hook	2
9	DC12	3-Drawer Unit	1
10	HD-28NV2	3-Shelf Unit	1
11	9	4-Drawer Unit w/ Lock	1



**5083
ELECTRICAL STARTER PACKAGE
NV200 Compact Cargo**

ITEM	MODEL	DESCRIPTION	QTY
1	P2NV2S	Steel Partition w/ Visibility	1
2	RK67NV2-SS	Driver Side Mounting Rail Kit	1
3	RKNV2-CS	Passenger Side Mounting Plate Kit	1
4	HD-32NV2	3-Shelf Unit	2
5	TA1	4-Hook Bar	2
6	28	Parts Bin	8
7	DC6	3-Drawer Unit	3
8	DC12	3-Drawer Unit	1
9	DV12	Shelf Divider	8
10	HD-28NV2	3-Shelf Unit	1
11	919	3-Drawer Unit w/ Lock	1
12	DK532	Door Kit	1



Item #	TOTAL	Item	Install
5080	3348.90	2798.90	550.00
5083	3165.70	2577.20	588.50

Item #	TOTAL	Item	Install

Item #	TOTAL	Item	Install



PARNV2

NEW COMPOSITE PARTITION FOR NISSAN NV200

Your NV200 mobile office is now more comfortable with an Adrian Steel composite partition. Sound deadening reduces driver distractions. Climate control reduces vehicle idle time for warm up and cool down. Generous leg room for less stress behind the wheel. The integrated steel frame provides the same level of performance that you are accustomed to from Adrian Steel.

PARNV2 - Composite Partition w/ Visibility
PARNV2-NW - Composite Partition



PARNV-NW

- Better Climate Control (than perforated partitions.)
- Reduces noise from the cargo area.
- Available with or without a clear poly rear-view window.
- Add hooks along the integrated AD rail.
- Mounting location by the door for a fire extinguisher (not included.)

Item #	TOTAL	Item	Install
PARNV2	950.01	801.51	148.50
PARNV2-NW	933.45	784.95	148.50

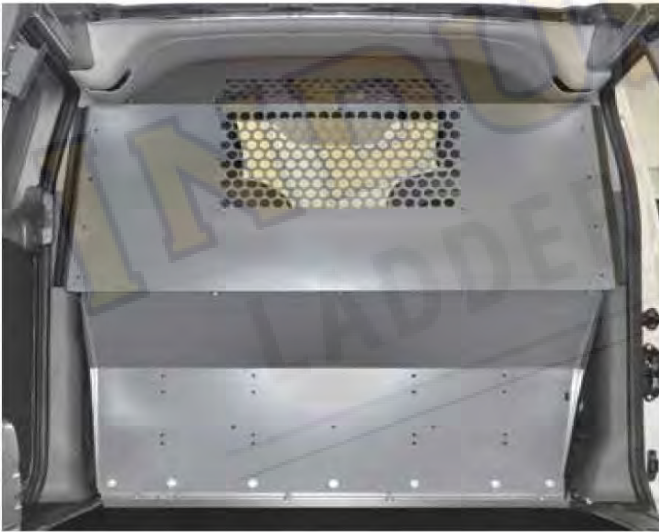
Item #	TOTAL	Item	Install

Item #	TOTAL	Item	Install

STEEL AND WIRE PARTITION OPTIONS FOR THE NEW NV200 COMPACT CARGO

Whether you are looking for climate control or maximum visibility, Adrian steel offers two partition options for the new NV200 Compact Cargo van. Both options securely separate the cab from the cargo area.

Best choice for climate control and noise reduction!



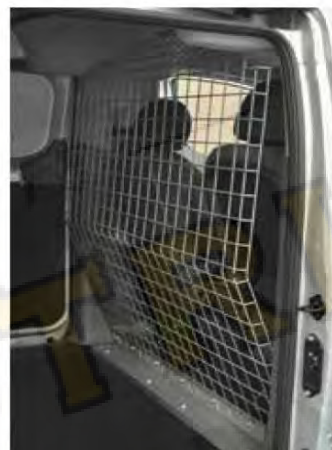
P2NV2S Steel Partition w/ Visibility

- Features all steel panels to safeguard the cab area against moving or shifting cargo.
- Recessed design allows for maximum adjustability of front seats.
- Perforated window provides full visibility of your cargo area and rear windows.
- Steel header and full perimeter wings provide optimal security.
- Recessed bottom panel provides room for a 6 foot step ladder or other accessories.

Note: Wing kits are not needed.

P2NV2FW Wire Partition

- Provides maximum visibility while safeguarding your van cab area against moving, shifting cargo.
- Recessed design allows for maximum adjustability of your driver and passenger seats.
- Lightweight and economical, without sacrificing safety and security.



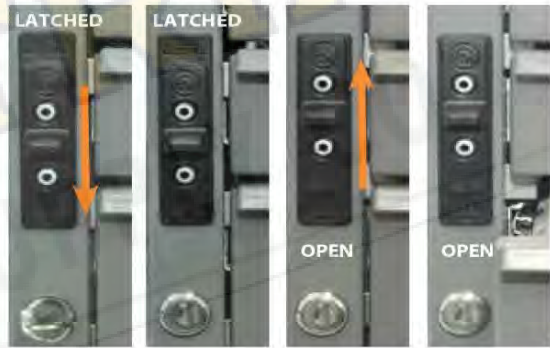
Item #	TOTAL	Item	Install
P2NV2S	558.87	459.87	99.00
P2NV2FW	369.42	319.92	49.50

Item #	TOTAL	Item	Install

Item #	TOTAL	Item	Install



2.5" deep drawers come with ABS divided and removable trays perfect for small parts.



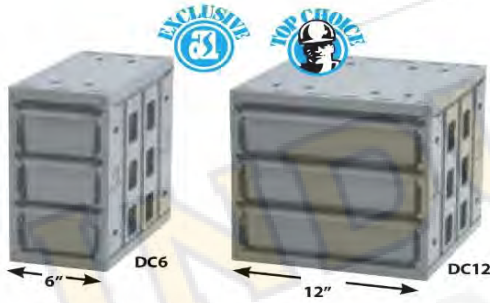
Latched & Locked Latched & Unlocked Drawers Unlatched Drawers Open

DRAWER UNITS – LOCK 'N LATCH SYSTEM

- Our exclusive Lock 'n Latch system provides a choice of drawers open, drawers retained or drawers locked position.
- Drawers are made of an engineered composite material for durability with heavy-duty drawer glides for support and smoother drawer operation.
- The new drawer glides significantly increase the ease of use when opening and closing the drawer units. They all but eliminate the rattle noise of the drawers when the driving the vehicle.
- Drawers and glides can be repositioned within cabinet for increased flexibility.
- Divide 5" deep drawers into compartments using optional metal "egg crate" dividers.

MODEL	DESCRIPTION	DRAWER SIZE (QTY.)
19	2-Drawer Unit w/ Lock	16"W x 5"D x 11-1/2"L (2)
919	3-Drawer Unit w/ Lock	16"W x 2-1/2"D x 11-1/2"L (2) 16"W x 5"D x 11-1/2"L (1)
9	4-Drawer Unit w/ Lock	16"W x 2-1/2"D x 11-1/2"L (4)
27	Drawer Divider Assembly	19 or 919 Drawer (1)

Steel outer cabinet measures 18"W x 12"H x 12"L.



DRAWER COMPONENTS

- Organize small parts with our flexible and rugged composite Drawer Components.
- Drawer retention stops prevent drawers from opening while the vehicle is in transit.
- Made of a hi-impact polymer for a quiet operation.
- Each drawer comes with 2 dividers and 7 divider slots.
- Interlocking feature allows up to 2 units stacked vertically or multiple units horizontally.
- Choose from Adrian Steel's pre-configured drawer systems or create your own drawer system from the base models.

MODEL	DESCRIPTION	OVERALL SIZE
DC6	3-Drawer Unit	6"W x 12"H x 12"D
DC12	3-Drawer Unit	12"W x 12"H x 12"D
DS06212V	6-Drawer Unit	12"W x 24"H x 12"D
DS36012H	9-Drawer Unit	18"W x 12"H x 12"D
DS46012	12-Drawer Unit	12"W x 24"H x 12"D

5lb. weight capacity per drawer.



#2 Cabinet Size
18"W x 24"H x 18"L

#8 Cabinet Size
18"W x 18"H x 12"L

DRAWER UNITS – LOCKING HINGE AND HASP

- Drawers are welded and have reinforced drawer slides for strength.
- Can be locked with a padlock (not included) for security.
- Divide drawers with optional metal "egg crate" dividers.

MODEL	DESCRIPTION	DRAWER SIZE (QTY.)
8	3-Drawer Unit	16"W x 5"D x 11-1/2"L (3)
2	4-Drawer Unit	16"W x 5"D x 17-1/2"L (4)
25	Drawer Divider Assembly	No. 2 Drawer (1)
26	Drawer Divider Assembly	No. 8 Drawer (1)

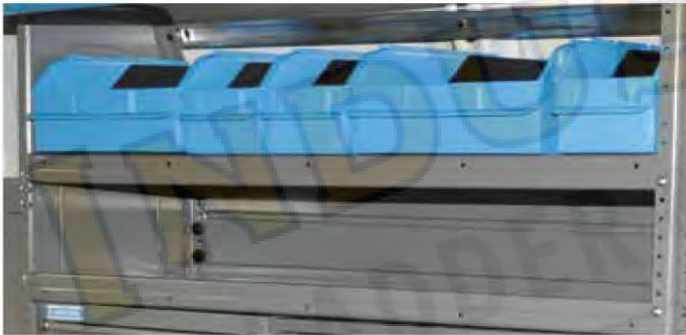
Item #	TOTAL	Item	Install
19	232.90	188.90	44.00
919	284.29	240.29	44.00
9	336.65	292.65	44.00
27	34.73	34.73	0.00

Item #	TOTAL	Item	Install
DC6	93.77	82.77	11.00
DC12	138.68	127.68	11.00
DS06212V	277.36	255.36	22.00
DS36012H	281.31	248.31	33.00
DS46012	375.08	331.08	44.00

Item #	TOTAL	Item	Install
8	292.87	248.87	44.00
2	347.80	317.00	30.80
25	45.30	45.30	0.00
26	#N/A	#N/A	#N/A

ADRIAN'S BLUE BIN SYSTEM IS PERFECT FOR VISUAL INVENTORY MANAGEMENT.

- 6" and 12" bins maximize the ADseries shelf space.
- The bins can nest on top of each other when at the job site or in the warehouse getting filled to go.
- Add a label to the front so you can find parts quickly
- Each bin can accommodate one optional divider.



MODEL	DESCRIPTION
SBIN060614	Snap In Bin
SBIN120614	Snap In Bin
SBINDIV	Snap In Bin Divider

FLOOR DRAWERS

- Adrian Steel exclusive Anti-Slam latch keeps drawer from closing without positive latch activation. The only aluminum drawer in the industry with this feature!
- An automotive grade lock keeps expensive cargo secure and the adjustable divider helps keep contents segmented.
- The integral latch keeps the drawer open when you are on an incline and closed when you're done!
- Heavy duty grab handles and ball bearing slides allow the drawer to open and close with ease.
- Can be stacked to utilize large cubic storage areas.
- 24" deep units have a weight capacity of 350 lbs. and the 36" deep have a 325 lb. weight capacity.



REFRIGERANT TANK HOLDER



3-Shelf Tank Rack TH51FP

Accommodates a combination of any three 30 or 50 lb tanks.

Straps secure tanks for safe transportation.

Fits NV Cargo

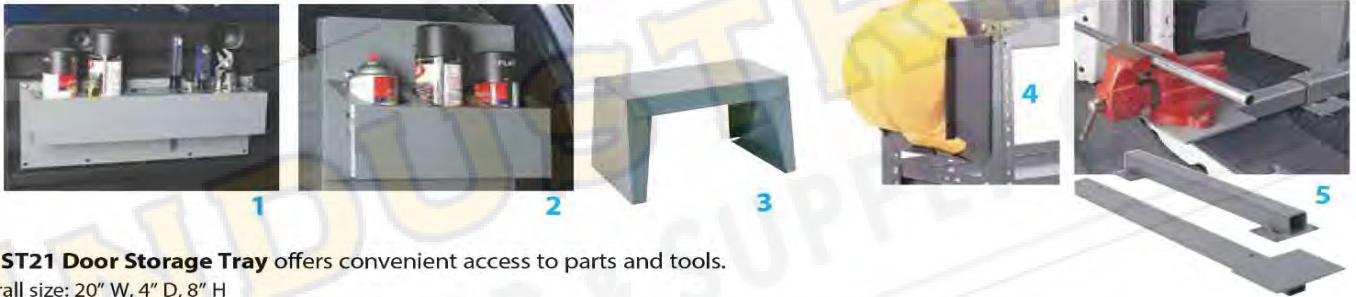


- 1: CB5 5-Slot Literature Rack** Mount on partition or other vertical surface. 2-1/2" deep pockets. Overall size: 12"W, 24"H, 2-1/2"D.
- 2: CB7 7-Slot Literature Rack** Mount on partition or other vertical surface. 6-3/4" deep pockets. Overall size: 14-3/4"W, 28-7/8"H, 7"D.
- 3: 43 3-Shelf Literature Rack** Fits in narrow spaces. It has three tilted shelves. Perfect for binders and catalogs. Overall size: 6" W, 34" H, 12" D.
- 4: BH4 4-Slot Literature Rack** Designed to mount on partition or almost any vertical surface. Excellent for binders. Each pocket is 2 1/2" deep. Overall size: 12-3/4" W, 19-1/2" H, 2-1/2" D.
- 5: CB2 2-Book File** Mounts on the floor between front seats and partition. Holds folders 12"H x 10-1/2"D. Overall size: 6"W, 14"H, 12"D.

Item #	TOTAL	Item	Install
SBIN060614	18.11	18.11	0.00
SBIN120614	25.08	25.08	0.00
SBINDIV	4.29	4.29	0.00

Item #	TOTAL	Item	Install
AFD181236	1263.16	1208.16	55.00
AFD241224	1025.95	970.95	55.00
AFD241236	1370.97	1315.97	55.00

Item #	TOTAL	Item	Install
CB5	163.15	141.15	22.00
CB7	196.57	174.57	22.00
43	155.26	111.26	44.00
BH4	170.19	148.19	22.00
CB2	111.40	83.90	27.50



1: DST21 Door Storage Tray offers convenient access to parts and tools.

Overall size: 20" W, 4" D, 8" H

2: Aerosol Can Tray secure cans for easy access.

ACT3 - 3-Place Aerosol Can Holder

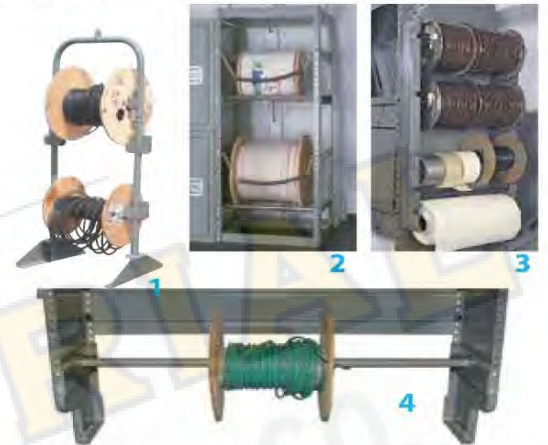
ACT4 - 4-Place Aerosol Can Holder

3: 14 Step Stool has a wide base and is 12" high. Stool can be used with a workbench or as an auxiliary step. Top measures 10" x 20" One size.

4: TA2 Hard Hat Holder secures hat to partition or shelving.

5: VMA36 Vise Mount Assembly is floor mounted and telescopes out beyond side or rear cargo doors when fully opened. Measures 36" closed and 60" open.

REEL HOLDERS



1: CRH2 Cable Reel Holder features a durable frame, two steel shafts that holds up to a 15-1/2" diameter reel by 14" wide. Overall size: 19-1/8" W, 16" D, 44-7/8" H

2: KDRH2 2-Bar Wire Reel Holder holds large spools up to 16" wide and 18" in diameter. Spools nest on conveyor rollers. Includes tie-down chains with neoprene covers. Overall size: 18" W, 46" H, 18" D

3: WRH5 5-Bar Spool Holder Five removable bars hold wire spools up to 6" in diameter. Reel Holder mounts to shelf ends or any vertical surface. Overall size: 12" W, 25" H, 4" D

4: End Panel Reel Holder Bar mounts between ADseries shelf end panels for easy access to spools of cable and wire.

KDRH1426 - Wire Reel Holder **KDRH1432** - Wire Reel Holder

KDRH1444 - Wire Reel Holder **KDRH1450** - Wire Reel Holder

Wire Window Screens add security to cargo area windows.

- 60-NRD** Rear Doors Security Screen Kit
- 60-NSDRD** Side & Rear Doors Security Screen Kit
- 60-NV2** Rear Doors Security Screen Kit
- 60-120** Driver Side Rear Door Security Screen
- 60-121** Passenger Side Rear Door Security Screen
- 60-150** Driver Side Sliding Door Security Screen
- 60-151** Passenger Side Sliding Door Security Screen

Item #	TOTAL	Item	Install
DST21	77.87	50.37	27.50
ACT3	55.27	33.27	22.00
ACT4	62.73	40.73	22.00
14	59.55	59.55	0.00
TA2	35.69	24.69	11.00
VMA36	337.10	314.00	23.10

Item #	TOTAL	Item	Install
60-NRD	184.77	129.77	55.00
60-NSDRD	298.17	215.67	82.50
60-NV2	173.83	129.83	44.00
60-120	85.06	63.06	22.00
60-121	88.77	66.77	22.00
60-150	142.81	120.81	22.00
60-151	142.81	120.81	22.00

Item #	TOTAL	Item	Install
CRH2	370.06	315.06	55.00
KDRH2	469.63	315.63	154.00
WRH5	100.56	84.06	16.50
KDRH1426	119.13	97.13	22.00
KDRH1432	130.24	108.24	22.00
KDRH1444	164.38	142.38	22.00
KDRH1450	170.85	148.85	22.00

BE MORE EFFICIENT WITH INVENTORY THAT IS READY TO GO WHEN AND WHERE YOU ARE.

Versatile, lightweight, durable, convenient and mobile - these **Portable Parts Cases** are perfect for the tech who needs to carry small parts and inventory to the jobsite.

The impact resistant body can be organized with the included adjustable dividers. The see-through lids with snap latches make identifying contents easy.

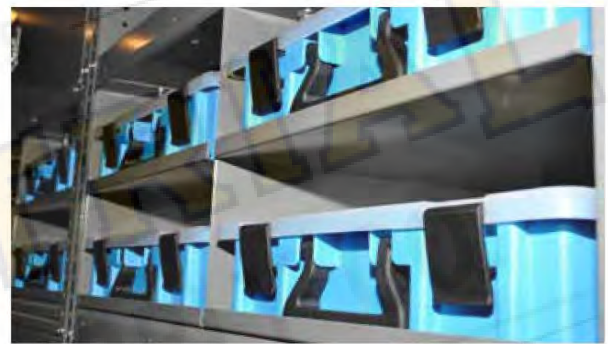
PPCS 14" x 14" x 3.75"
PPCL 14" x 14" x 6.25"



CH-EP
 15.5" x 11.25" x 37.5"
 * FIRST AID KIT NOT INCLUDED



CHPPC5SM
 16.5" x 14" x 35"



Add a single **CH1514SGL 15" x 14" x 12"** or double **CH-1514DBL 15" x 14" x 12"** **Case Holder** to an existing shelf to house included cases that stay put while in transport.

INCORPORATE THE PORTABLE PARTS CASES INTO YOUR VAN WITH THE STORAGE OPTION THAT FITS YOUR NEED.

Three different **Case Holder** options give you the ability to house multiple Portable Parts Cases near the vehicle door for easy access to grab-and-go. The **CH-EP** and **CHPPC5SM** include a tray that holds an optional first aid kit and feature slanted shelves.

The **CHPPC4S** includes four PPCS cases and each shelf has a retaining lip to keep cases in place.



CHPPC4S
 14 3/8" x 14 3/8" x 18"

Item #	TOTAL	Item	Install
PPCS	43.43	43.43	0.00
PPCL	52.14	52.14	0.00

Item #	TOTAL	Item	Install
CH-EP	378.98	334.98	44.00
CHPPC5SM	578.49	523.49	55.00

Item #	TOTAL	Item	Install
CH1514SGL	144.02	116.52	27.50
CH-1514DBL	192.85	181.85	11.00
CHPPC4S	375.46	353.46	22.00

GRIP YOUR LADDERS SECURELY A GRIP-LOCK LADDER RACK.

Adrian's Grip-Lock racks feature a lockable, gripping mechanism that firmly secures one or two ladders to the top of the van. Racks easily adjust for ladders of different sizes. The all aluminum design provides years of service.



GRIP-LOCK FEATURES AND BENEFITS

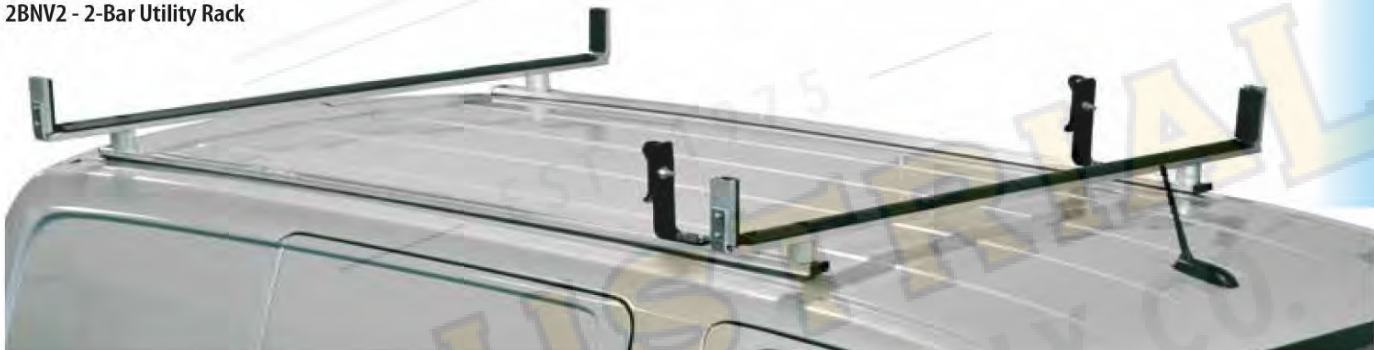
- Heavy-Duty actuating arm firmly grips ladder rungs to prevent shifting of ladder on rack.
- Gripping mechanism is lockable.
- Composite extrusions on front and rear crossbows and uprights protect ladders.
- Rung grips easily adjust to accommodate different types of ladders.
- All aluminum design with nautral finish—for quality and longevity.
- There are no straps to deal with, clamping of ladder is automatic.
- Mounts to pre-existing mounting points in roof. No drilling required.

61-NV2 - Single Grip Lock Ladder Rack
63-NV2 - Double Grip-Lock rack

ALUMINUM UTILITY RACK FOR NV200 COMPACT CARGO

The most flexible rack in the market, the 2BNV2 features an all aluminum design that allows you to maximize the roof of the NV200 Compact Cargo. No drill installation and an innovative rail system allows the user to easily reposition the crossbows where they are needed.

2BNV2 - 2-Bar Utility Rack



Item #	TOTAL	Item	Install
63-NV2	1160.38	1006.38	154.00
2BNV2	596.47	508.47	88.00

Item #	TOTAL	Item	Install

Item #	TOTAL	Item	Install

AluRack

For Nissan NV200

PRIME DESIGN[™]

A Safe Fleet Brand



Maximize the safety and carrying capacity of your Nissan NV200 with an AluRack.



AR1221

Models	Vehicle Wheelbase	Vehicle Height	Crossbar Quantity	Crossbar Width	Weight
AR1221	115 IN	74 IN	6	53 IN	55 lbs

Item #	TOTAL	Item	Install
AR1221	942.33	703.33	239.00

Item #	TOTAL	Item	Install

Item #	TOTAL	Item	Install

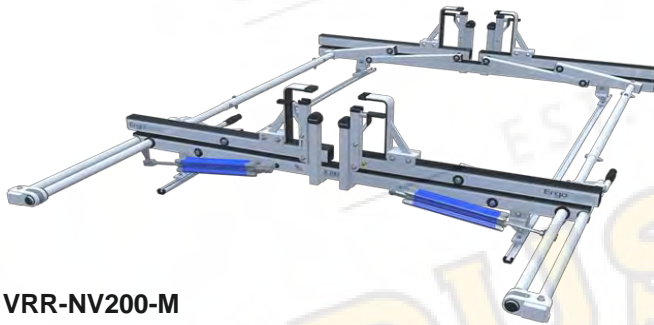
Nissan NV200 Compact Cargo with ErgoRack

Lightweight, Safe and Easy

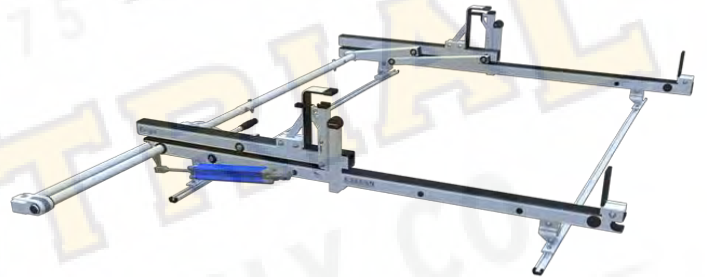
Prime Design has been the industry's ergonomic leader since 1992, when we first introduced the concept of an ergonomic ladder rack.

Our design philosophy starts with the worker – how can we make the job safer, easier and more comfortable for the human body? That is because we firmly believe that a product's design and how it impacts the user is every bit as

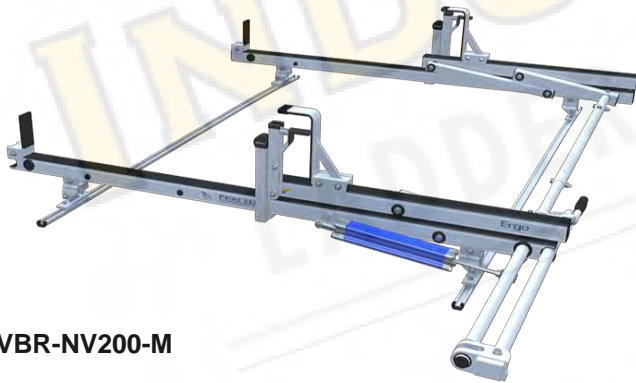
important as the quality of materials and construction. The ErgoRack was designed to reduce muscle stress, eliminate risk of injury and speed the job of loading and unloading ladders from a work van.



VRR-NV200-M



VRB-NV200-M



VBR-NV200-M



VBB-NV200-M

VRR-NV200-M Features

Ladder Drop Rack BOTH Sides
CURBSIDE: ROTATION
STREETSIDE: ROTATION

VRB-NV200-M Features

Ladder Drop Rack STREETSIDE
CURBSIDE: BASE - END STOPS
STREETSIDE: ROTATION

VBR-NV200-M Features

Ladder Drop Rack CURBSIDE
CURBSIDE: ROTATION
STREETSIDE: BASE - END STOPS

VBB-NV200-M Features

Ladder Rack - NO Drop Downs
CURBSIDE: BASE - END STOPS
STREETSIDE: BASE - END STOPS

Item #	TOTAL	Item	Install
VRR-NV200-M	1990.02	1690.02	300.00
VBR-NV200-M	1294.34	1044.34	250.00
VRB-NV200-M	1294.34	1044.34	250.00
VBB-NV200-M	598.65	398.65	200.00

Item #	TOTAL	Item	Install

Item #	TOTAL	Item	Install



NISSAN NV200 COMPLETE TURN KEY KIT
2013 - PRESENT MODEL
Part # NV200-FVK-SLIDE-TK



Puck Locks(3) Keyed Alike	Blade Bracket
Spinners	Weather Covers

This Kit includes everything you need for a complete installation on one vehicle.

Additional configurations are available on our website
www.industrialladder.com

EW0400 SERIES
INTERIOR LIGHTING
 ILUMINACIÓN INTERIOR | ÉCLAIRAGE D'INTÉRIEUR



12-24V | FLOOD | SURFACE MOUNT
 FLUJO PROYECCIÓN | MONTAJE EN SUPERFICIE
 MONTAGE EN SURFACE
 2" D x 5.4" W x 0.5" D | 51mm H x 137mm W x 13mm D (EW0400/10)
 2" D x 11.8" W x 0.5" D | 51mm H x 300mm W x 13mm D (EW0401/11)



Additional Light Styles and Backup Alarms are available on our website
www.industrialladder.com

Model	Length	Type	Lumens	Amps
EW0400	5.4" / 137MM	LED - Switched	200	0.4
EW0411	11.8" / 300mm	LED - Switched	475	0.7



12V | SPLICEABLE | HIGH-BOND TAPE
 EMPALMABLE À ÉPISSURE | CINTA DE GRAN ADHESIÓN
 RUBAN ADHESIF À HAUTE ADHÉRENCE



EW0116	12" / 305mm	LED - 18	350	0.4
--------	-------------	----------	-----	-----



500 SERIES
SURFACE MOUNT
 MONTAJE EN SUPERFICIE | MONTAGE EN SURFACE



Model	Volts	Amps	Decibels
510	12 / 24	0.2	97
575	12 / 24	0.9	105



Item #	TOTAL	Item	Install
NV200-FVK-SLIDE-TK			
	447.00	352.00	95.00

Item #	TOTAL	Item	Install
EW0410	123.68	68.68	55.00
EW0411	148.74	93.74	55.00
EW0116	87.82	32.82	55.00

Item #	TOTAL	Item	Install
510	97.24	42.24	55.00
575	107.26	52.26	55.00



driven to *outperform*™

Link Manufacturing develops an extensive range of aluminum ramps that provide safe, easy and economical solutions for your loading and handling needs. Whether you require a straight, bifold, trifold, swivel, lightweight, heavy duty or a customized cargo ramp solution for your unique needs, you can be confident that each Link aluminum ramp is built to perform in the most challenging conditions. All of our aluminum ramps are engineered, tested and manufactured to the highest quality standards right here in the USA.

Mounted Ramps

Link Manufacturing has developed a broad array of deployable mounted aluminum ramp solutions engineered for commercial vans and box trucks. Link's lightweight, lowprofile mounted aluminum ramps vertically mount just inside a vehicle's rear or side doors. Each mounted ramp is made from high-strength aluminum and engineered for simple installation and ease of use. All Link mounted ramps are fast, easy and convenient to deploy.



Swivel Ramp

Link has put a new twist on aluminum ramps. Our swivel ramp offers unmatched flexibility for loading and unloading any sized cargo, with 180-degree rotation and two storage locations. The swivel ramp mounts in the rear stored position like a traditional folding ramp, but can swing to also be stored inside, behind the wheel well – providing options for instances when a loading ramp isn't needed.



Portable Ramps

Link's portable aluminum ramps are available for both lightweight and heavy-duty applications, featuring either folding or straight designs. The extensive range of portable ramps provide users with safe, durable, and economical solutions for their cargo loading and handling needs. An optional, high-friction, perforated deck surface is also available for applications where exposure to ice, oils, moisture and other slippery substances are common.



Due to the custom options of these ramps, please contact your Industrial Truck & Van Branch for a custom quote.

» LADDERS



Stepladders
Fiberglass Stepladders
Aluminum Stepladders



Twin Sided Stepladders
Fiberglass Twin Sided
Aluminum Twin Sided



Platform/Podium Ladders
Podium Ladders
Fiberglass Platform
Aluminum Platform
Store Stocker's Ladders



Extension Ladders
Fiberglass Ext Ladders
Aluminum Ext Ladders



Specialty Ladders
Telescoping Ladders
Manhole Ladders
Multi-purpose Ladders
Posting Ladders
Fire Escape Ladders

» CONSTRUCTION EQUIPMENT



Jobsite Management Boxes
DATAVAULT
DATAVAULT Mobile



Jobsite Storage Boxes
Field Station Boxes
Piano Boxes
Chests & Cabinets
Rolling Work Benches
Parts & Accessories



Pump Jack Systems
Alum-A-Pole Pump
Jack Systems
Werner Pump Jack
Systems
Aluminum Stages



Siding Brakes
Tapco Siding Brakes
Van Mark Accessories
Alum-A-Pole Siding
Brakes



Shingle Hoists
Gas Hoists
Electric Hoists
Hoist Accessories

» FALL PROTECTION & SAFETY



A - Anchors
Cross Arm Straps
Pour-In Anchor Straps
Roof Anchors
I-Beam Anchors
Concrete Anchors



B - Bodywear / Harness
Werner Proform
"F3" Harnesses
Blue Armor Harnesses
LiteFit Harnesses
Basewear Harnesses



C - Connectors
Self-Retracting Lifeline
(SRL)
Lanyards
Positioning Lanyards
Tie-Back Lanyards



Lifelines
Horizontal Lifelines
Vertical Lifelines
Rope



Fall Protection Kits
Roofer Kits
Construction Kits
Aerial Lift Kits

» TRUCK EQUIPMENT



Truck Racks
Full Ladder Racks
Removable Ladder Racks
Service Body Racks
Window Guards



Truck Boxes
Cross Boxes
Saddle Boxes



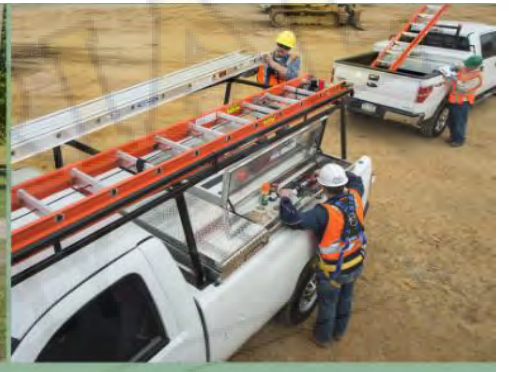
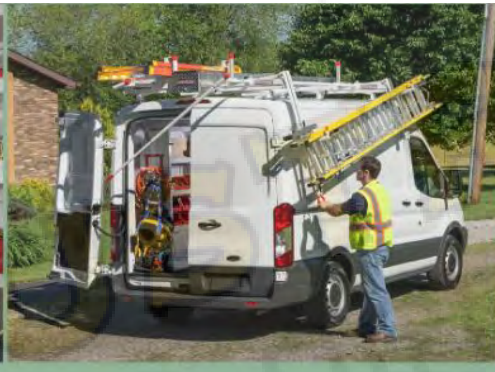
Truck Trade Packages
General Contractor
Security Alarm Starter
Commercial Starter
Shelving Starter



Transfer Tanks
Transfer Tanks



Transfer Pumps
Transfer Pumps
Parts & Accessories



WE INSTALL! >>

VAN INTERIORS
VAN RACKS
LIGHTING

TRUCK BOXES
TRUCK RACKS
WORK DESKS



NOT SURE WHAT YOU NEED?
WE'LL HELP YOU FIND THE RIGHT PRODUCTS!

CALL US AT 877-451-9532

WE ARE DIFFERENT
WHY BUY FROM INDUSTRIAL LADDER?

We are "Classic Service"

INDUSTRIAL LADDER'S DIFFERENCE

Industrial Ladder & Supply Co. was founded in 1975. Our company was established and has been continuously operated as a family owned business since. The founders possessed the experience and knowledge needed to lay the foundation for what would become one of America's largest and most respected Ladder, Scaffold, and Truck Equipment distributors. Industrial Ladder serves the eastern half of the United States from our 5 distribution centers. Most of our deliveries are done on our own company vehicles for a far better customer experience. Today, we are proud to have three generations of family members involved in operating the company.

— EST. 1975 —
INDUSTRIAL
LADDER & SUPPLY CO.

— EST. 1975 —
INDUSTRIAL
TRUCK & VAN EQUIPMENT

ILLINOIS

245 E.ADELE COURT
VILLA PARK, IL 60181
630-530-7580

MARYLAND

7111 DORSEY RUN RD STE 102
ELKRIDGE, MD 21075
301-490-0281

MINNESOTA

9437 UNIVERSITY AVE NE
SPRING LAKE PARK, MN 55432
763-784-4111

NEW JERSEY

111 LEUNING ST. UNIT C
SOUTH HACKENSACK, NJ 07606
201-438-5400

OHIO

4725 PORT UNION RD
HAMILTON, OH 45011
513-860-9720

Pricing and Availability Subject to Change Without Notice / Not responsible to typographical errors.