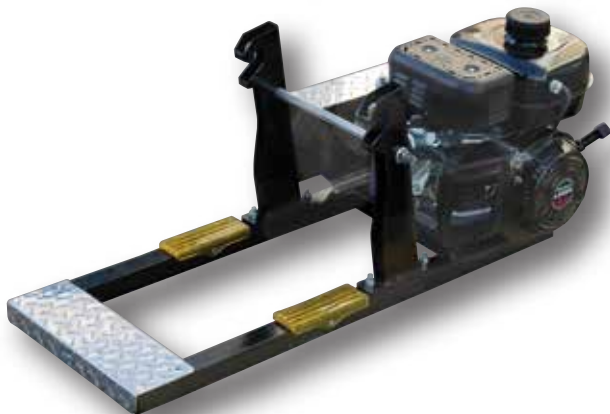


TranzSporter

Part Manual for TP250, TP400 Track Sections & Engines

Updated 1-15-18



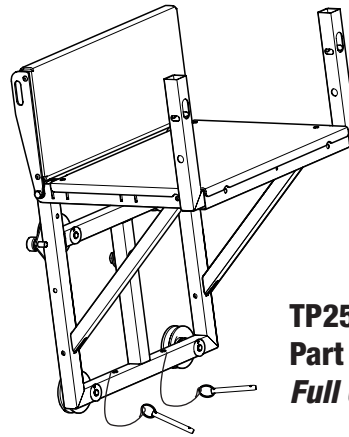
Instruction Sheet
#08256

TIE DOWN ENGINEERING • Atlanta, GA 30336
www.tiedown.com (404) 344-0000



E1417; 1-15-18

TP 250 Carriage Parts List



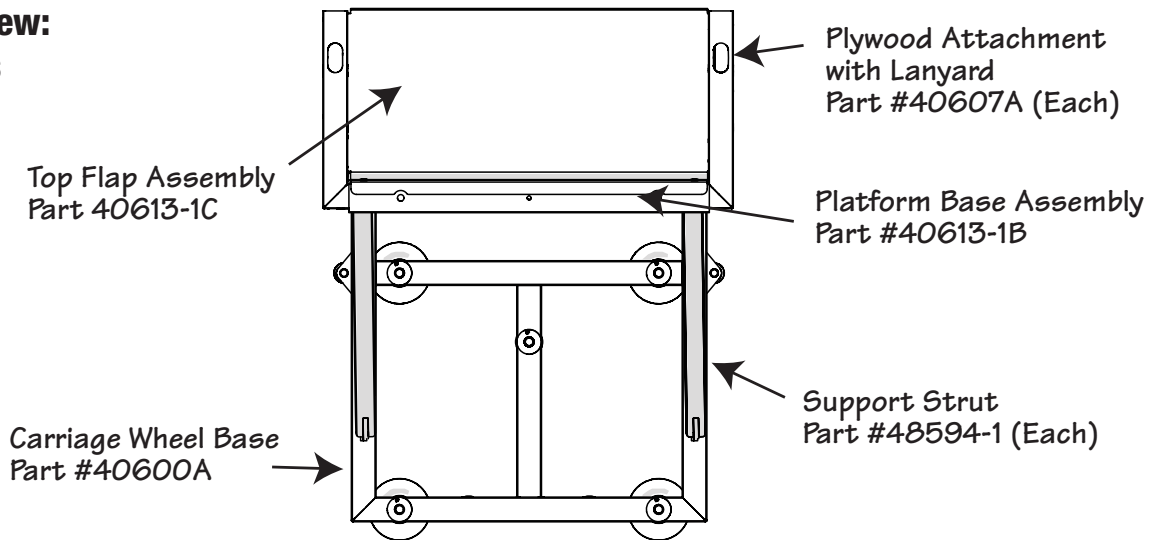
TP250 Carriage:
Part #40613
Full Carriage Assembly

NOTE:

The parts list and descriptions are for assembly and general information only. Under normal working conditions parts will wear out. **TIE DOWN ENGINEERING SELLS REPLACEMENT PARTS IN KITS ONLY AND WILL NOT SELL INDIVIDUAL PIECES OR PARTS.** Common hardware listed is available at your local hardware store.

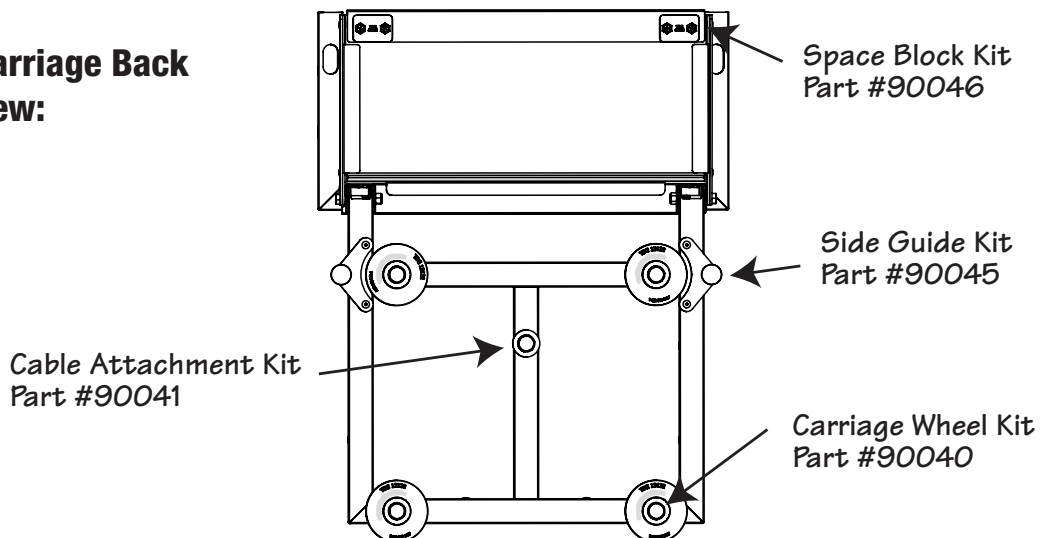
TP250 Carriage Front

Quick View: Part Kits

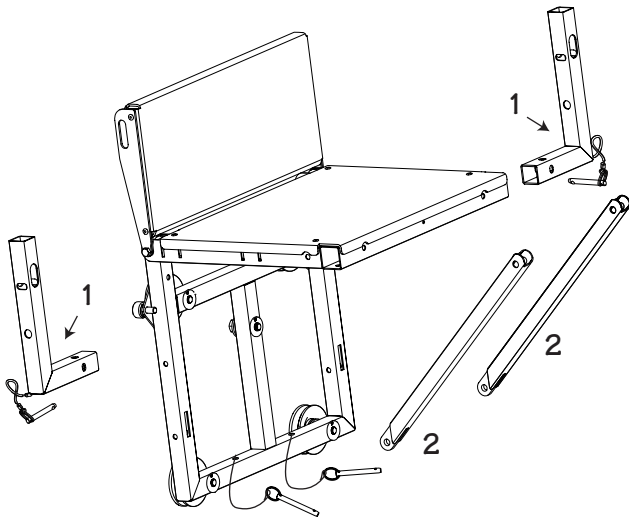


TP250 Carriage Back

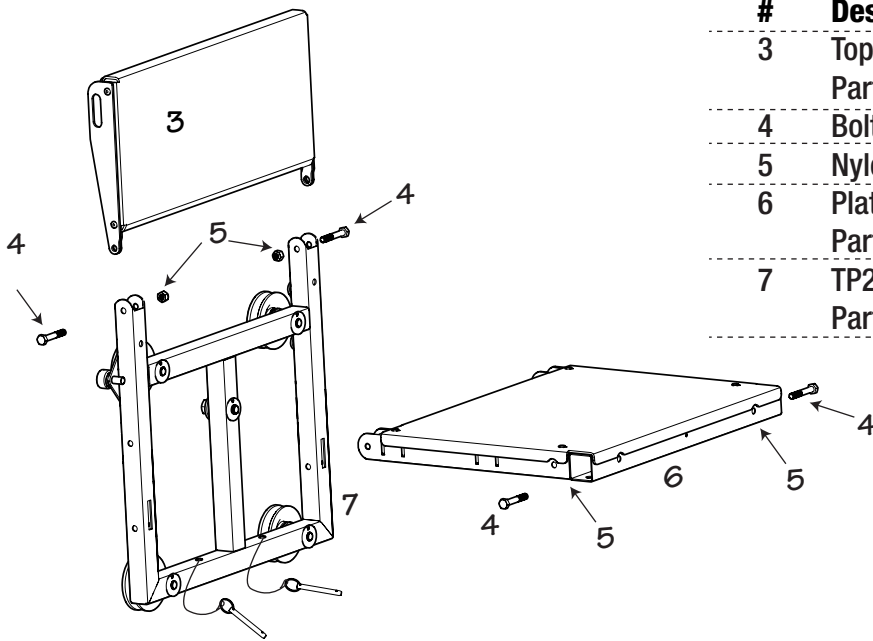
Quick View: Part Kits



TP 250 Carriage Parts List

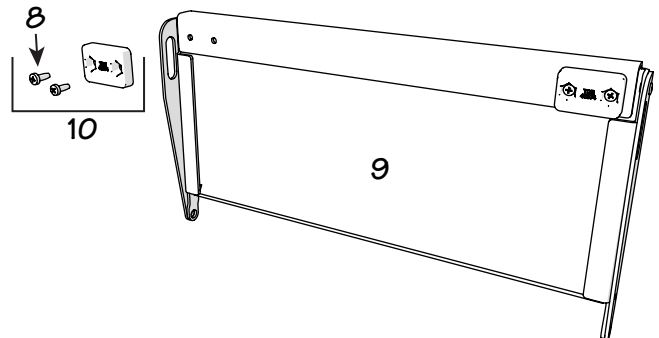


#	Description
1	Plywood Attachment with Lanyard Part # 40607A
2	Support Strut Part #48594-1
	• Lanyard/Safety Pin Assembly (2) Part #90036



#	Description
3	Top Flap Assembly Part #40613-1C
4	Bolt - 5/16-18 x 2"
5	Nyloc Nut - 5/16-18
6	Platform Base Assembly Part #40613-1B
7	TP250 Carriage Wheel Base Assembly Part #40600A

ID #	Description
8	10 - 24 x 1/2" Self Tapping Screw
9	Carriage Top Flap Assembly Part #40613-1C
10	Spacer Block Kit Part #90046 - Kit Includes: Spacers (2) 10 - 24 x 1/2" ST Screws (4)

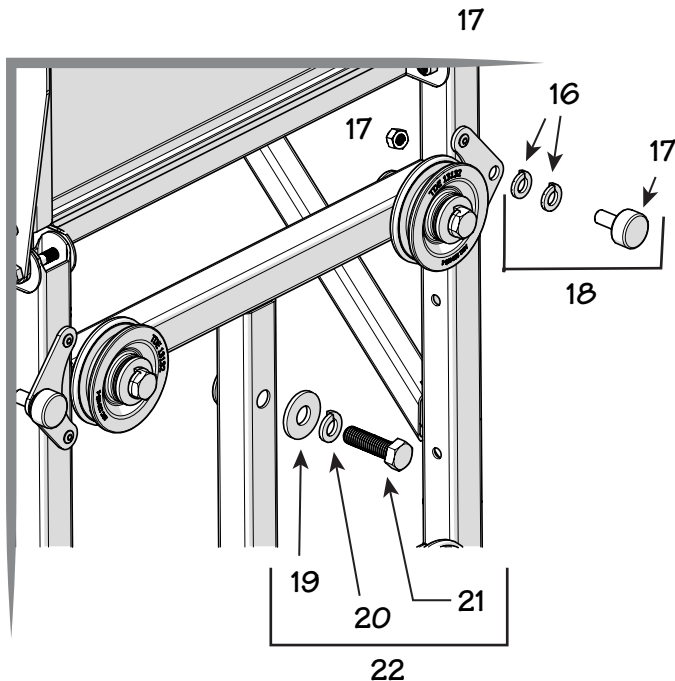
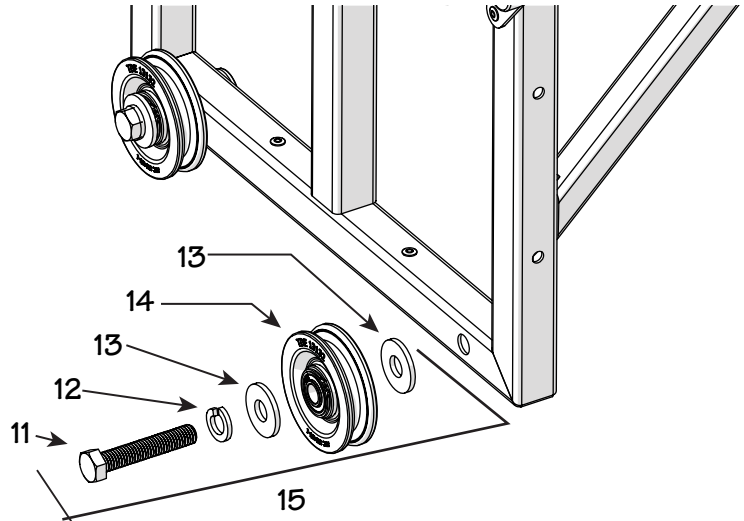


NOTE:

The parts list and descriptions are for assembly and general information only. Under normal working conditions parts will wear out. **TIE DOWN ENGINEERING SELLS REPLACEMENT PARTS IN KITS ONLY AND WILL NOT SELL INDIVIDUAL PIECES OR PARTS.** Common hardware listed is available at your local hardware store.

TranzSporter TP 250 Carriage Parts List

ID #	Description
11	1/2-13 x 2-3/4" Zinc Screw
12	1/2" Lock Washer
13	1/2" Washer
14	Carriage Wheel
15	Complete Carriage Wheel Kit Part #90040 - Kit Includes: 1/2-13 x 2-3/4" Zinc Bolts (2) 1/2" Lock Washers (2) 1/2" Washers (4) Carriage Wheels (2)



ID #	Description
16	7/16" Lock Washer
17	Cam Follower with nut
18	Side Guide Kit Part #90045 - Kit Includes: 7/16" Lock Washer (4) Cam Follower/Nut (2)

ID #	Description
19	1/2" Washer
20	1/2" Lock Washer
21	1/2-13 x 1-3/4" Bolt
22	Cable Attachment Kit Part #90041 - Kit Includes: 1/2" Washer (1) 1/2" Lock Washer (1) 1/2-13 x 1-3/4" Bolt (1)

NOTE:

The parts list and descriptions are for assembly and general information only. Under normal working conditions parts will wear out. **TIE DOWN ENGINEERING SELLS REPLACEMENT PARTS IN KITS ONLY AND WILL NOT SELL INDIVIDUAL PIECES OR PARTS.** Common hardware listed is available at your local hardware store.

TranzSporter Roofing Products Division
TIE DOWN ENGINEERING

Atlanta, Georgia 30336 | 800-241-1806 • 404-344-0000

ISO 9001:2008 Certification

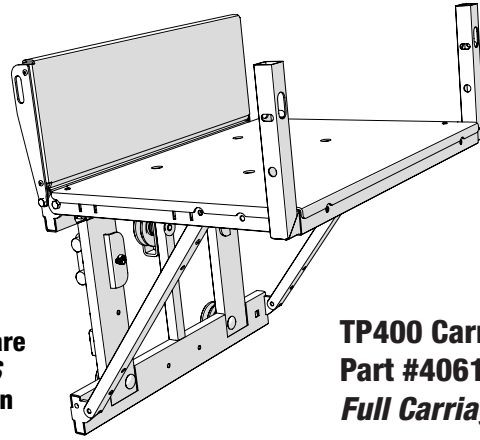
Trade, brand, names and drawings are the intellectual property of TIE DOWN ENGINEERING. ©2014 TIE DOWN, Inc.

#08256 (Rev. 12-1-17)

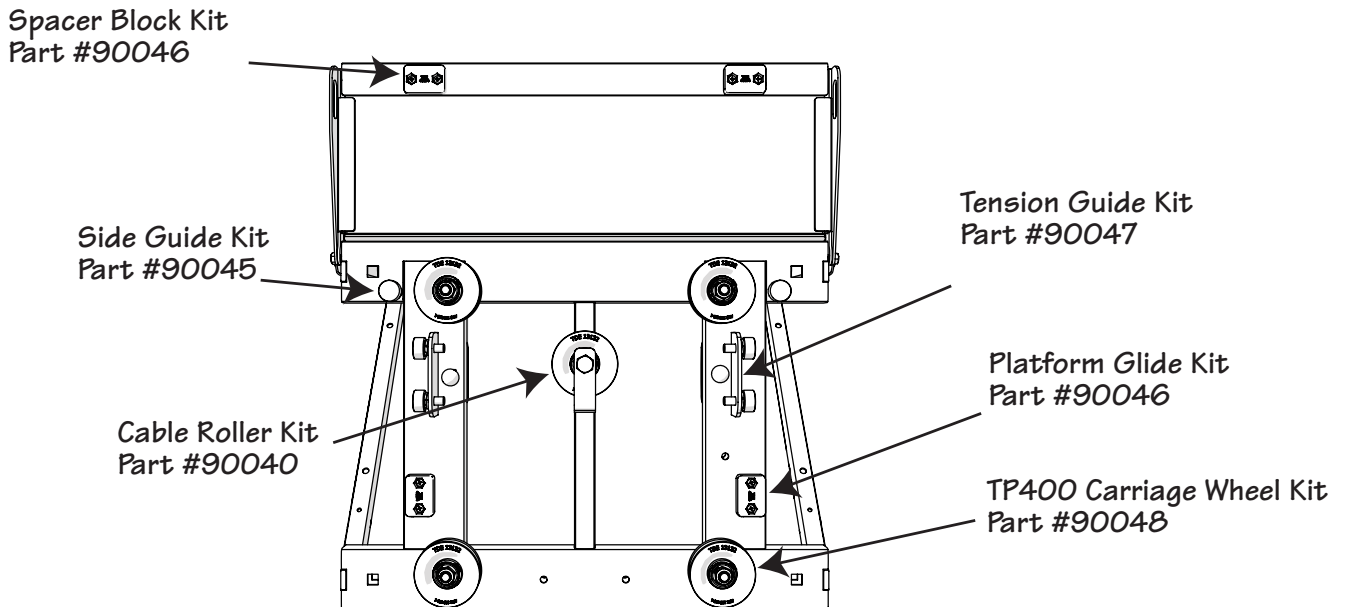
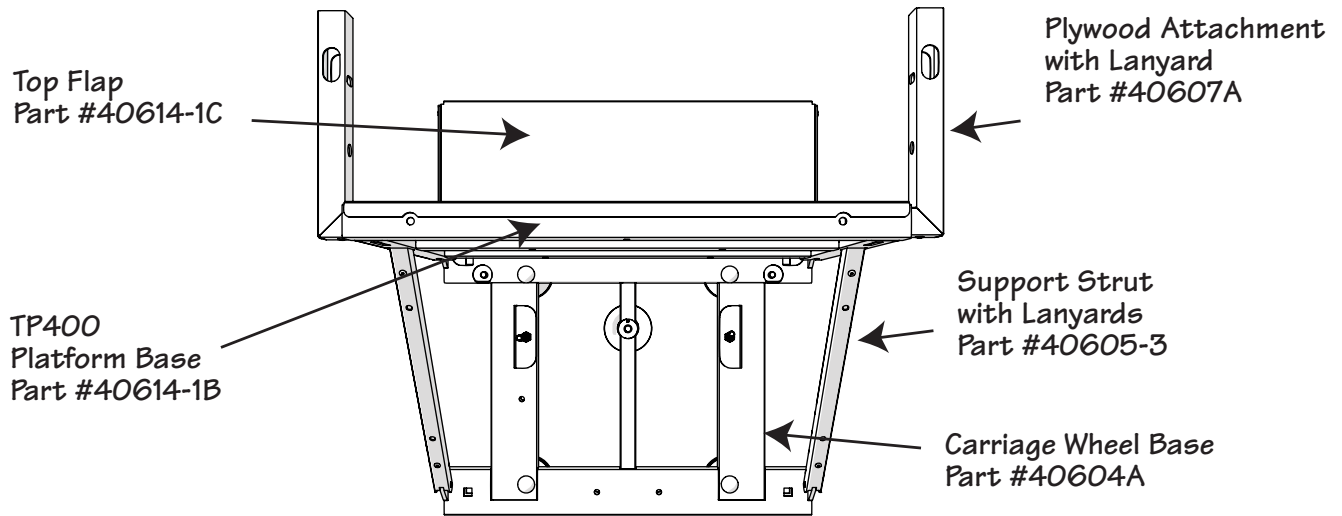
TP 400 Carriage Parts List

NOTE:

The parts list and descriptions are for assembly and general information only. Under normal working conditions parts will wear out. **TIE DOWN ENGINEERING SELLS REPLACEMENT PARTS IN KITS ONLY AND WILL NOT SELL INDIVIDUAL PIECES OR PARTS.** Common hardware listed is available at your local hardware store.

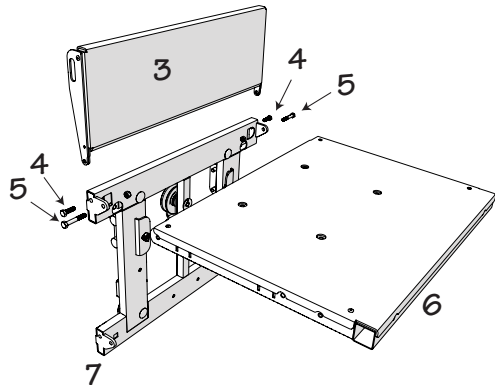
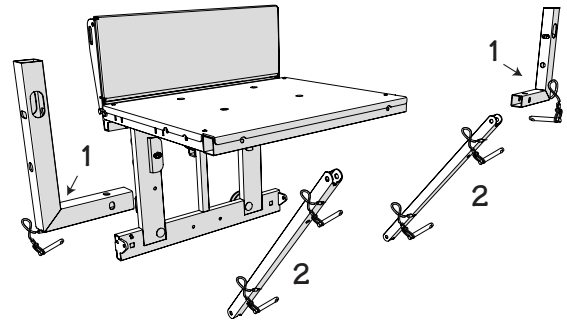


TP400 Carriage:
Part #40614
Full Carriage Assembly



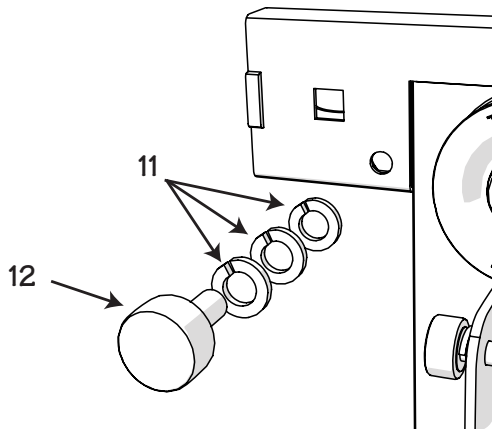
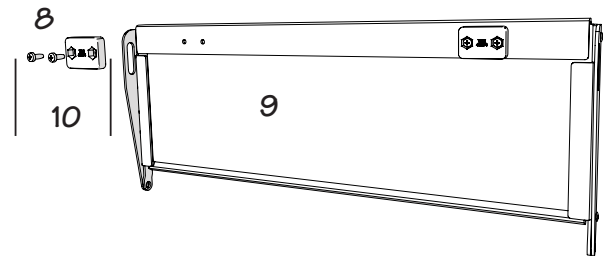
TranzSporter TP 400 Carriage Parts List

- | # | Description |
|---|--|
| 1 | Plywood Attachment with Lanyard
Part #40607A |
| 2 | Support Strut with Lanyards
Part #40605-3 |
| | • Lanyard/Safety Pin Assembly (2)
Part #90036 |



- | # | Description |
|---|--|
| 3 | Top Flap Assembly
Part #40614-1C |
| 4 | Bolt - 5/16-18 x 2" |
| 5 | Nyloc Nut - 5/16-18 |
| 6 | Platform Base Assembly
Part #40614-1B |
| 7 | TP400 Carriage Wheel Base Assembly
Part #40604A |

- | # | Description |
|----|--|
| 8 | 10 - 24 x 1/2" Self Tapping Screw |
| 9 | Carriage Top Flap Assembly
Part #40614-1C |
| 10 | Spacer Block Kit
Part #90046 - Kit Includes:
Spacers (2)
10 - 24 x 1/2" ST Screws (4) |

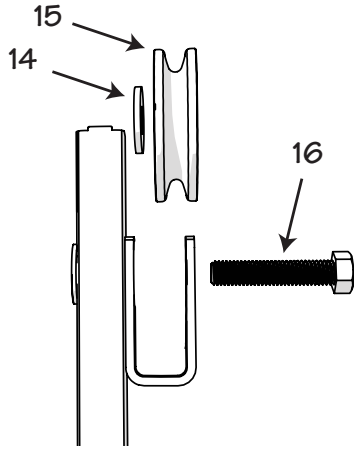


- | # | Description |
|----|--|
| 11 | 7/16" Lock Washer |
| 12 | Cam Follower w/Nut -26mm |
| 13 | Side Guide Kit
Part #90045 - Kit Includes:
7/16" Lock Washer (6)
Cam Follower (2) |

NOTE:

The parts list and descriptions are for assembly and general information only. Under normal working conditions parts will wear out. **TIE DOWN ENGINEERING SELLS REPLACEMENT PARTS IN KITS ONLY AND WILL NOT SELL INDIVIDUAL PIECES OR PARTS.** Common hardware listed is available at your local hardware store.

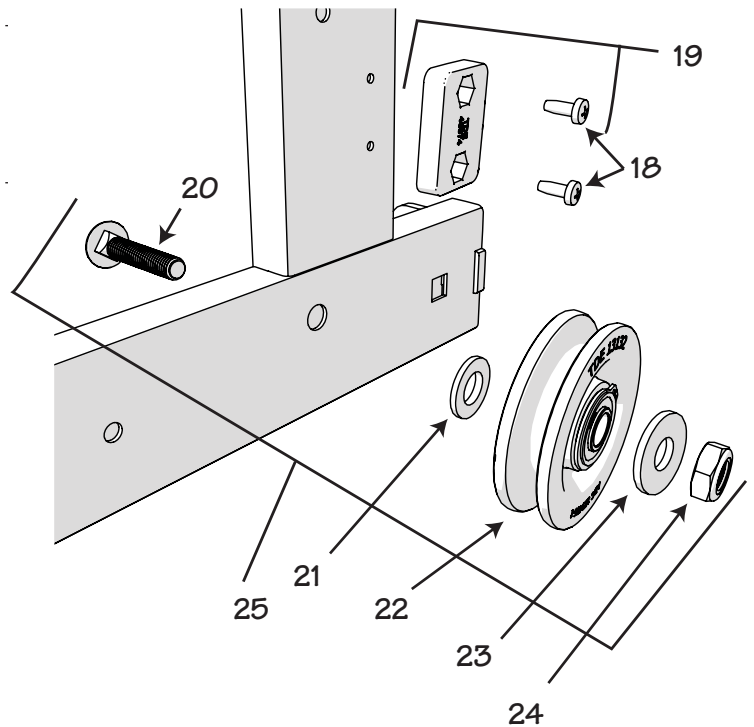
TranzSporter TP 400 Carriage Parts List



#	Description
14	1/2" Washer
15	Carriage Wheel
16	Bolt 1/2"-13 x 2-3/4"
17	Pulley Block Kit (AKA-Complete Carriage Wheel Kit) Part #90040 - Kit Includes: 1/2-13 x 2-3/4" Zinc Bolts (2 -1 required) 1/2" Lock Washers (2-Not needed for this pulley block) 1/2" Washers (1 required, 3 not need for this pully block) Carriage Wheels (2 - 1 required)

#	Description
18	10 - 24 x 1/2" Self Tapping Screw
19	Spacer Block Kit Part #90046 - Kit Includes: Spacers (2) 10 - 24 x 1/2" ST Screws (4)

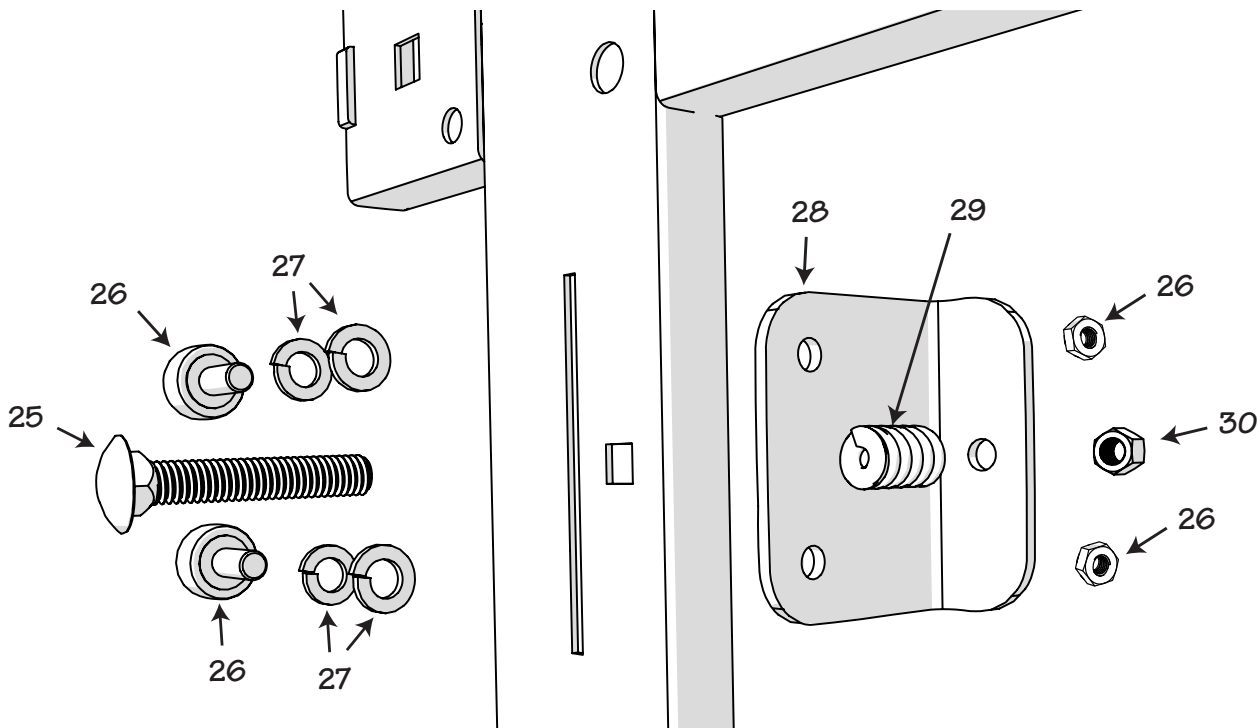
#	Description
20	1/2"-13 x 2-3/4" Carriage Bolt
21	1/2" Washer (Small)
22	Carriage Wheel
23	1/2" Washer (Large)
24	1/2" Jam Nut
25	Complete Carriage Wheel Kit Part #90048 - Kit Includes: Carriage Bolts (2) Washers (4 - 1/2" [2 small & 2 large]) Carriage Wheels (2) Jam Nut (2)



NOTE:

The parts list and descriptions are for assembly and general information only. Under normal working conditions parts will wear out. **TIE DOWN ENGINEERING SELLS REPLACEMENT PARTS IN KITS ONLY AND WILL NOT SELL INDIVIDUAL PIECES OR PARTS.** Common hardware listed is available at your local hardware store.

TranzSporter TP 400 Carriage Parts List



#	Description
25	3/8"-16 x 2-1/4" Carriage Bolt
26	Cam Follower with Nut- 26mm
27	7/16" Lock Washer
28	Tension Guide Bracket
29	3/4" x 1-1/4" Die Spring
30	3/8" Hex Nut
31	Complete Tension Guide Kit
	Part #90047 - Kit Includes:
	Carriage Bolt (1)
	Cam Follower (2)
	Lock Washers (4)
	Tension Guide Bracket (1)
	Die Spring (1)
	Hex Nut (1)

NOTE:

The parts list and descriptions are for assembly and general information only. Under normal working conditions parts will wear out. **TIE DOWN ENGINEERING SELLS REPLACEMENT PARTS IN KITS ONLY AND WILL NOT SELL INDIVIDUAL PIECES OR PARTS.** Common hardware listed is available at your local hardware store.

TranzSporter Roofing Products Division

TIE DOWN ENGINEERING

Atlanta, Georgia 30336 | 800-241-1806 • 404-344-0000

ISO 9001:2008 Certification

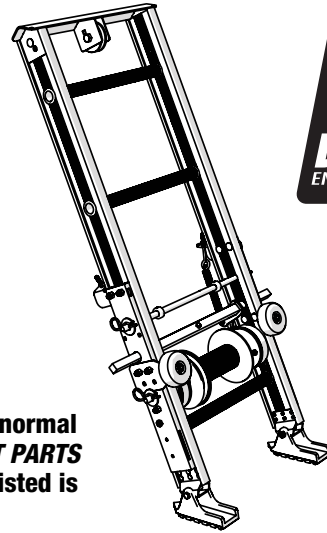
Trade, brand, names and drawings are the intellectual property of TIE DOWN ENGINEERING. ©2016 TIE DOWN, Inc.

#08256 (Rev. 12-1-17)

TranzSporter



TP Hoist Base Parts List

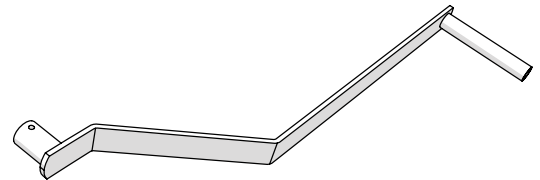
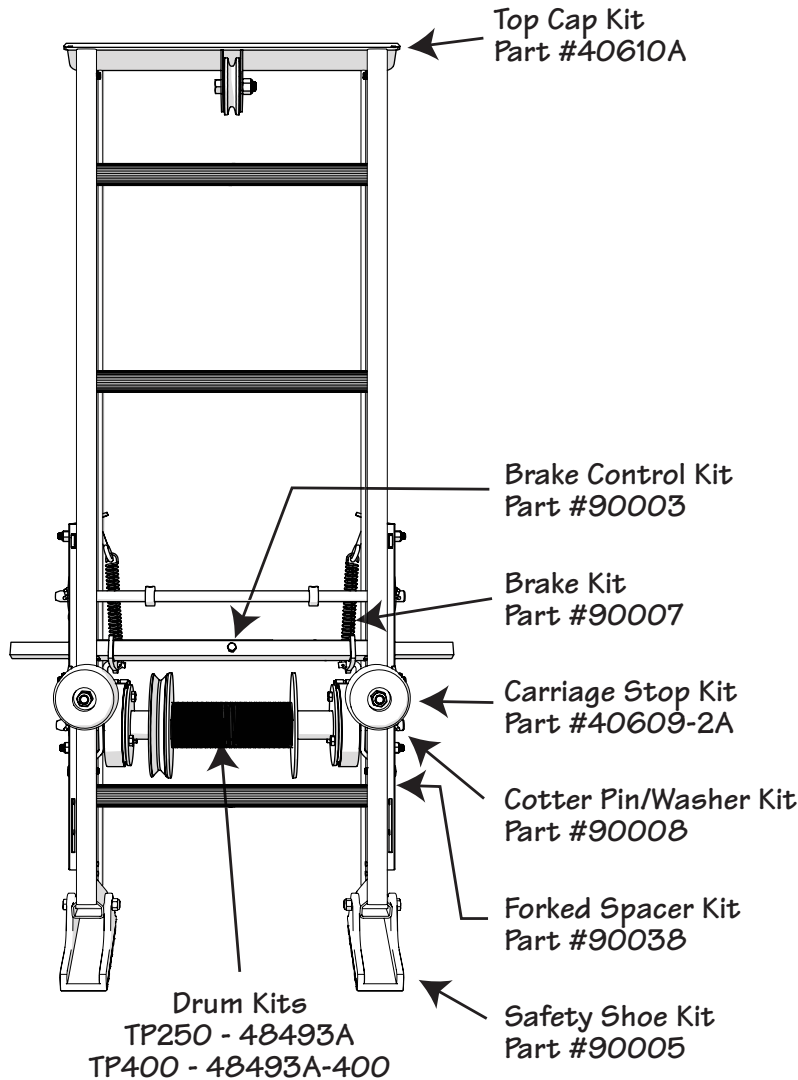


TP 250 Base Full Assembly:
Part #40609-250

TP 400 Base Full Assembly:
Part #40609-400

NOTE:

The parts list and descriptions are for assembly and general information only. Under normal working conditions parts will wear out. **TIE DOWN ENGINEERING SELLS REPLACEMENT PARTS IN KITS ONLY AND WILL NOT SELL INDIVIDUAL PIECES OR PARTS.** Common hardware listed is available at your local hardware store.



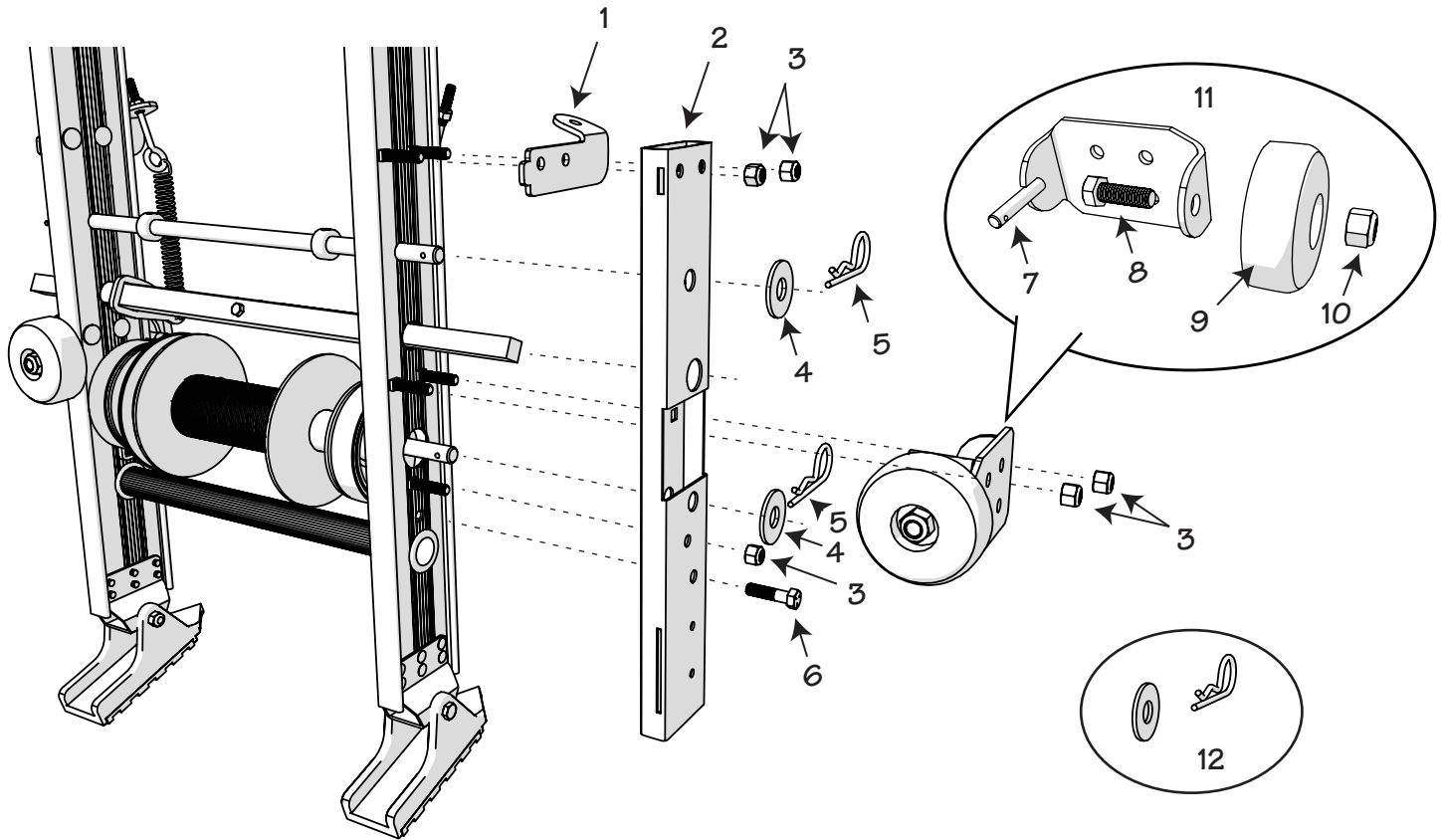
Reversible Handle
Part #48506A

4' Track Section (Base) with Feet
Splice Plates Included
TP250/TP400
Part #10083

4' Track Section
Splice Plates Included
TP250/TP400
Part #10092

8' Track Section
Splice Plates Included
TP250/TP400
Part #10091





Individual Parts List

#	Description	Part Number
1	Spring Bracket (Left) Spring Bracket (Right)*	40609-3L 40609-3R
2	Track Brace (Left) Track Brace (Right)*	40609-1L 40609-1R
3	3/8" Nylock Nut	See Note
4	5/8" Washer	See Note
5	Cotter Pin	See Note
6	3/8"-16 x 1-1/2" Bolt	See Note
7	Carriage Stop Bracket	N/A
8	1/2"-13 x 1-1/2" Bolt	See Note
9	Carriage Stop Roller	48358
10	1/2" Nylock Nut	See Note

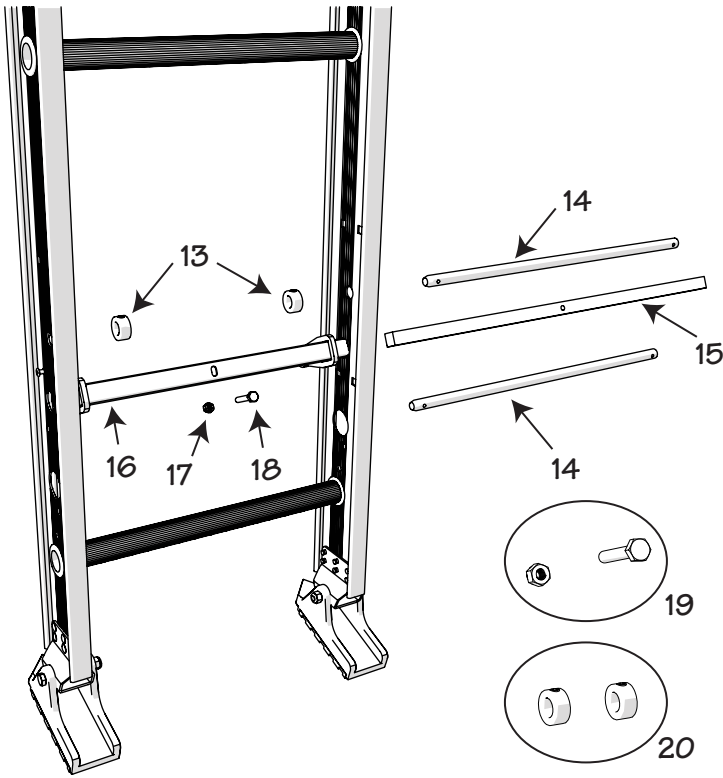
* Shown

Packaged Kits

#	Description	Part Number
11	Carriage Stop Assembly Kit Includes: Carriage Stop Bracket Bolt Carriage Stop Roller Lock Nut	40609-2A
12	Cotter Pins/Washers Kit Includes: Cotter Pins (2) Washers (2)	90008

NOTE:

The parts list and descriptions are for assembly and general information only. Under normal working conditions parts will wear out. **TIE DOWN ENGINEERING SELLS REPLACEMENT PARTS IN KITS ONLY AND WILL NOT SELL INDIVIDUAL PIECES OR PARTS.** Common hardware listed is available at your local hardware store.

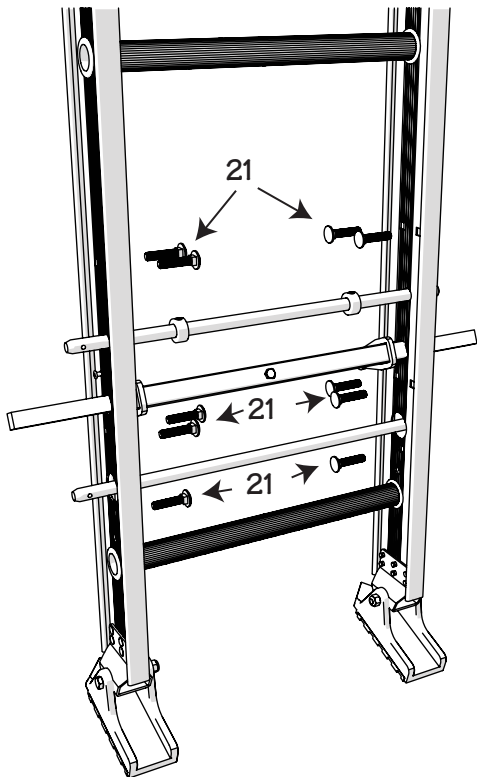


Individual Parts List

#	Description	Part Number
13	Shaft Collar 5/16"x 1/4"	See Note
14	Cable Drum Shaft	40609-4
15	Brake Control Shaft	40609-5
16	Brake Control Weldment	40609-6
17	1/2"-20 Nut	See Note
18	1/4"-20 x 1-1/2" Bolt	See Note

Packaged Kits

#	Description	Part Number
19	Brake Control Attachment Kit Kit Includes: 1/2"-20 Nut (1) 1/4"-20 x 1-1/2" Bolt (1)	90003
20	Shaft Collar Kit Kit Includes: Shaft Collar 5/16"x 1/4" (2)	90001



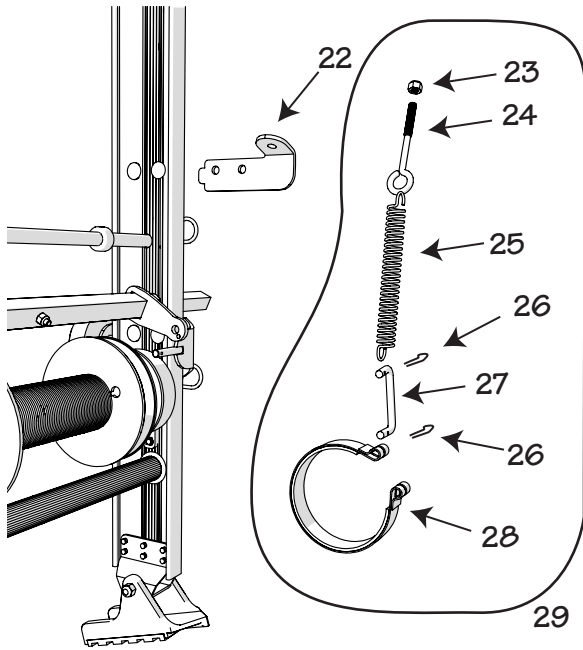
Individual Parts List

#	Description	Part Number
21	3/8"-16 x 1-3/4" Carriage Bolt	See Note

NOTE:

The parts list and descriptions are for assembly and general information only. Under normal working conditions parts will wear out. **TIE DOWN ENGINEERING SELLS REPLACEMENT PARTS IN KITS ONLY AND WILL NOT SELL INDIVIDUAL PIECES OR PARTS.** Common hardware listed is available at your local hardware store.

TP Base Parts List



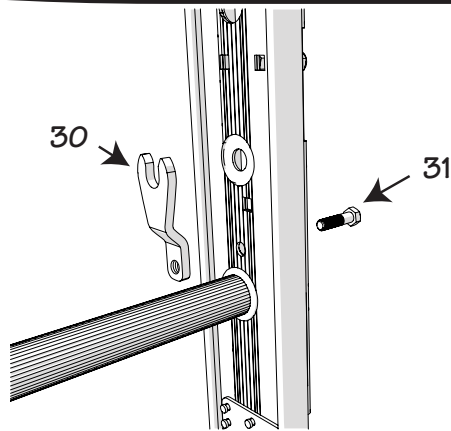
Individual Parts List

#	Description	Part Number
22	Spring Bracket (Left)*	40609-3L
	Spring Bracket (Right)	40609-3R
23	5/16"-18 Nylock Nut	See Note
24	5/16"-18 x 3" Eye Bolt	See Note
25	Spring	See Note
26	Cotter Pin	See Note
27	Linkage	See Note
28	Brake Strap	See Note

* Shown

Packaged Kit

#	Description	Part Number
29	Brake Kit (1 side - left side shown) Kit Includes: Lock Nut, Eye Bolt, Spring, Cotter Pins, Linkage & Brake Strap	90007

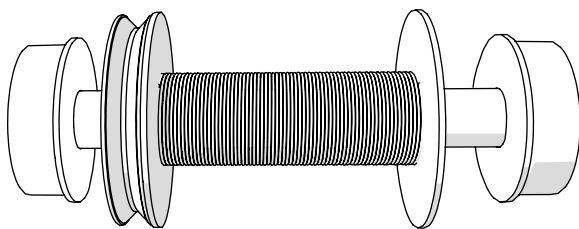


Individual Parts List

#	Description	Part Number
30	Forked Spacer	See Note
31	3/8"-16 x 1-1/2" Bolt	See Note

Packaged Kit

#	Description	Part Number
32	Complete Fork Kit Kit Includes: Forks (2) & Bolts (2)	90038



250/400 Drum Assembly

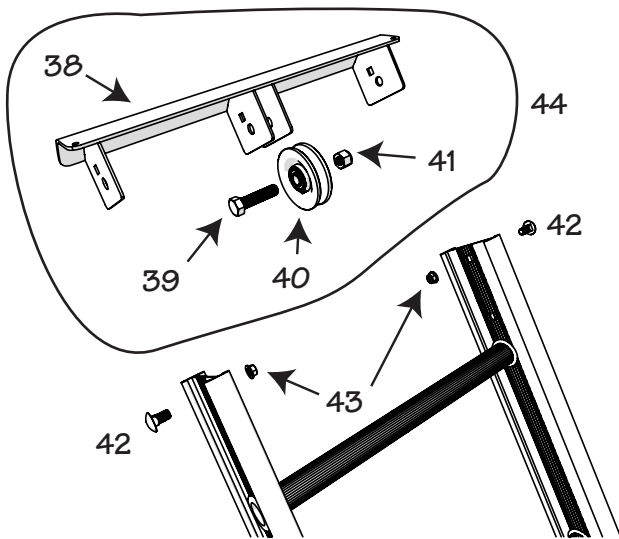


Packaged Kit

#	Description	Part Number
33	TP 250 Complete Drum Assembly Includes: Brake Drums, Cable Drum, Bearings and Cable	48493A
34	Cable Only 100' x 5/32"	90010
35	TP 400 Complete Drum Assembly Includes: Brake Drums, Cable Drum, Bearings and Cable	48493A-400
36	Cable Only 130' x 3/16"	90034
37	Drive Belt (51" V-Belt)	10047
38	Replacement Bearing Kit	90009

NOTE:

The parts list and descriptions are for assembly and general information only. Under normal working conditions parts will wear out. **TIE DOWN ENGINEERING SELLS REPLACEMENT PARTS IN KITS ONLY AND WILL NOT SELL INDIVIDUAL PIECES OR PARTS.** Common hardware listed is available at your local hardware store.

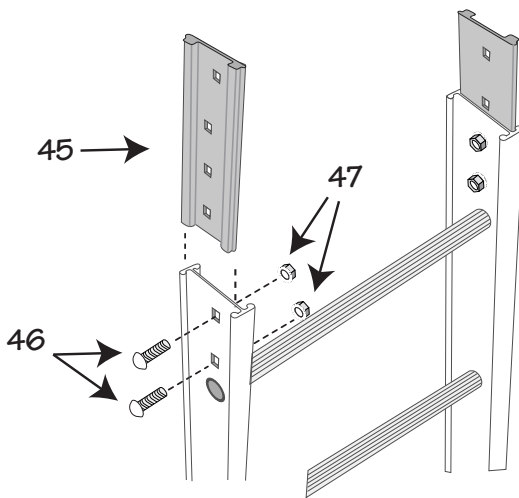


Individual Parts List

#	Description	Part Number
38	Top Cap Weldment	See Note
39	1/2"-13 x 2" Bolt	See Note
40	Carriage Wheel	See Note
41	1/2" Lock Nut	See Note
42	3/8" x 3/4" Bolt	See Note
43	3/8" Keeper Nuts	See Note

Packaged Kit

#	Description	Part Number
44	Complete Top Cap Assembly	
Kit Includes:		
	Weldment, 1/2"-13 x 2" Bolt, Carriage Wheel & 1/2" Lock Nut	40610A

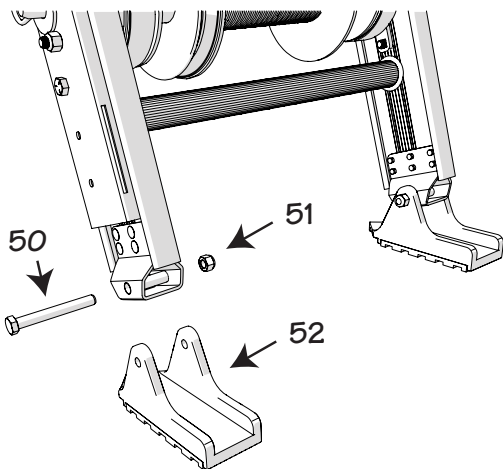


Individual Parts List

#	Description	Part Number
46	3/8"-16 x 3/4" Bolt	See Note
47	3/8" Keeper Nuts	See Note

Packaged Kit

#	Description	Part Number
48	Splice Plate Kit	
Kit Includes:		
	Splice Plates (2), Bolts (8) & Keeper Nuts (8)	90025
49	Nuts and Bolts (16 ea.)	90024



Individual Parts List

#	Description	Part Number
50	3/8"-16 x Bolt	See Note
51	3/8"-16 Nylock Nut	See Note
52	Safety Shoes	See Note

Packaged Kit

#	Description	Part Number
53	Complete Safety Shoe Kit	
Kit Includes:		
	Nuts (2), Bolts (2) & Safety Shoes (2)	90005

TranzSporter Roofing Products Division

TIE DOWN ENGINEERING

Atlanta, Georgia 30336 | 800-241-1806 • 404-344-0000

ISO 9001:2008 Certification

Trade, brand, names and drawings are the intellectual property of TIE DOWN ENGINEERING. ©2016 TIE DOWN, Inc.

#08256 (Rev. 3-14-18)

TP Engine Base Parts List



Lifan Engine with Base:
(#40611L)

Honda Engine with Base:
(#40611H)

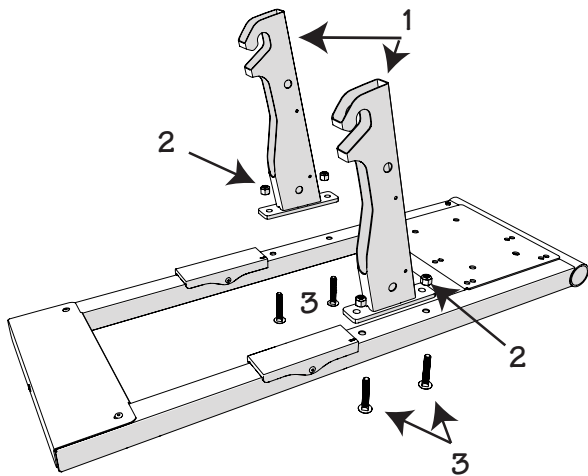
Electric Motor with Base:
(#40611E)

Motor Base Only:
Part #40611SPL

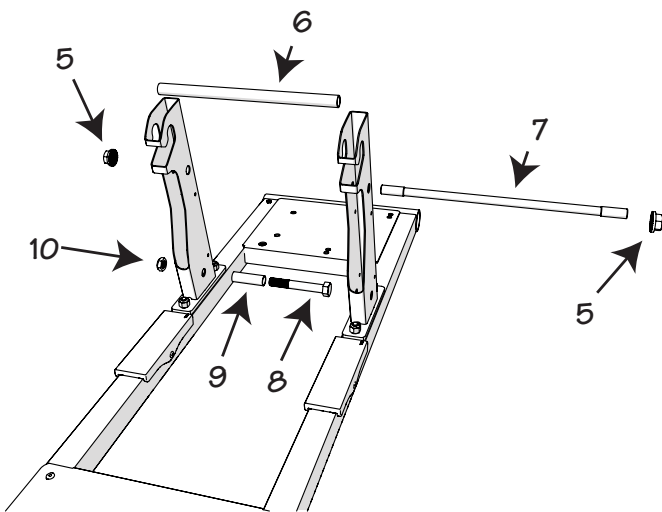
Lifan Engine Only
(#12570A)

Honda Engine Only
(#10039A)

Electric Motor Only
(#12561A)



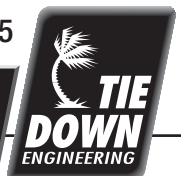
#	Description
1	Motor Mount Hanger Part #40611-4
2	3/8"-16 Nylock Nut
3	3/8"-16 x 2-1/4" Carriage Bolt
4	Motor Hangers Kit Part #90049 Kit Includes: Motor Mount Hangers (2) 3/8"-16 Nylock Nut (4) 3/8"-16 x 2-1/4" Carriage Bolt (4)

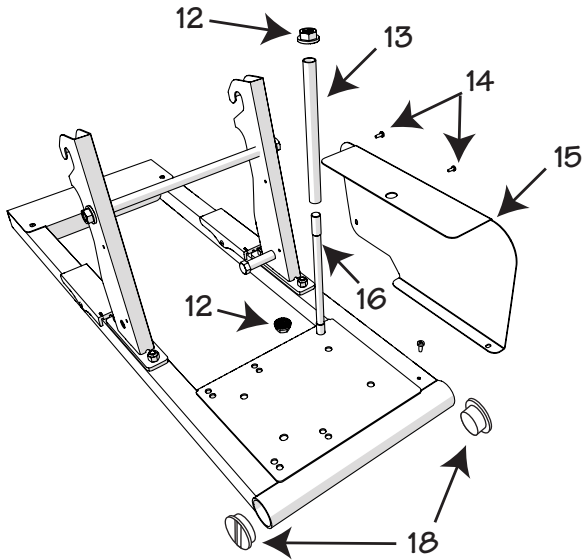


#	Description
5	1/2"-13 Flange Hex Nut
6	Upright Spacer Part #40611-4-2
7	Hanger Bar Part #40611-4-3
8	1/2"-13 x 3-1/2" Cap Scre
9	Belt Spacer Sleeve Part #40611-5
10	1/2"-13 Nylock Nut
11	Motor Hanging Hardware Kit Part #90053 Kit Includes: Everything listed above (5-10)

NOTE:

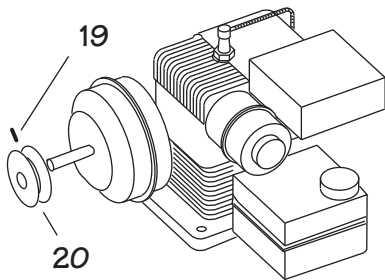
The parts list and descriptions are for assembly and general information only. Under normal working conditions parts will wear out. **TIE DOWN ENGINEERING SELLS REPLACEMENT PARTS IN KITS ONLY AND WILL NOT SELL INDIVIDUAL PIECES OR PARTS.** Common hardware listed is available at your local hardware store.





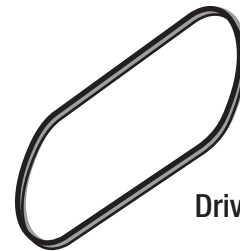
#	Description
12	1/2"-13 Flange Hex Nut
13	Belt Guard Sleeve Part #40611-3-
14	10-24 Self Tapping Screw
15	Belt Guard Part #40611-3-1
16	Belt Guard Roller Shaft Part #40611-3-3
17	Belt Guard Kit Part #90051 Kit Includes: All items listed above
18	Red End Tube Caps Part #17514

Additional Motor Base Parts



19 - Key 3/16"x3/4
20 - Sheave for drive motor

Sheave & Key (Used on All Engines)
Part #90022



Drive Belt (51" V-Belt)
Part #10047

Mounting the Lifan or Honda engine requires:

- (4) 5/16"-18 x 1-1/2" Bolts
- (4) 5/16"-18 Nylock Nuts

Mounting the Electric Motor requires:

- (4) 3/8"-16 x 1" Bolts & (4) 3/8"-16 Nylock Nuts
- (4) 3/8"-16 x 2-1/2" Bolts & (4) 3/8"-16 Nylock Nuts
- (1) Electric Motor Mounting Bracket Part #40611-1-2

NOTE:

The parts list and descriptions are for assembly and general information only. Under normal working conditions parts will wear out. **TIE DOWN ENGINEERING SELLS REPLACEMENT PARTS IN KITS ONLY AND WILL NOT SELL INDIVIDUAL PIECES OR PARTS.** Common hardware listed is available at your local hardware store.

TranzSporter Roofing Products Division
TIE DOWN ENGINEERING

Atlanta, Georgia 30336 | 800-241-1806 • 404-344-0000
ISO 9001:2008 Certification